

UP ELECTRICAL CO., LTD.

WENZHOU UP ELECTRICAL CO.,LTD.

ADD: No.208, Weiqi Road, Yueqing industry zone, Yueqing, Zhejiang, China

TEL: +86 577 62777759

EMAIL: sales@upelectricals.com

MOBILE/WHATSAPP/WECHAT: +86 19836275555



UP ELECTRICAL CO., LTD.

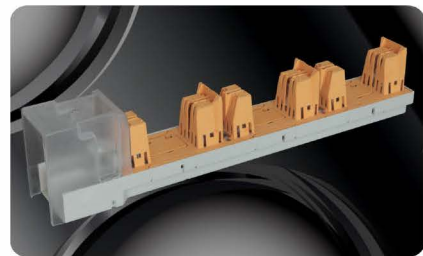


WEN ZHOU · CHINA

UPR SERIES STRIP TYPE FUSE RAIL

Technical Parameter:

Type of Fuse Switch	UPR1-250			UPR1-400			UPR1-630		
Ue	415,500,690V								
Ith	250A			400A			630A		
Frequency	50/60Hz								
Ui	1000V								
Uimp	10KV								
Application category	415V	500V	690V	415V	500V	690V	415V	500V	690V
	AC23B	AC22B	AC21B	AC23B	AC22B	AC21B	AC23B	AC22B	AC21B
Degree Of Protection	IP30								
Fuse Size	1			2			3		
Ue	415V	500V	690V	415V	500V	690V	415V	500V	690V
Ie	250A	250A	200A	400A	400A	350A	630A	630A	500A
Wire Specifications	120mm ²			240mm ²			300mm ²		
General Connection Mode	Screw&Cable lug								
The Special Connection Mode	V-clamp								
Installation of Busbar	1.Punched rectangle busbar 2.Unpunched rectangle busbar 3.Other								
Fixed Way	1.Screw 2.Hook 3.Other custom accessories								



UPR1-250 UPR1-400 UPR1-630

Installation dimension:



Application:



Technical Parameter:

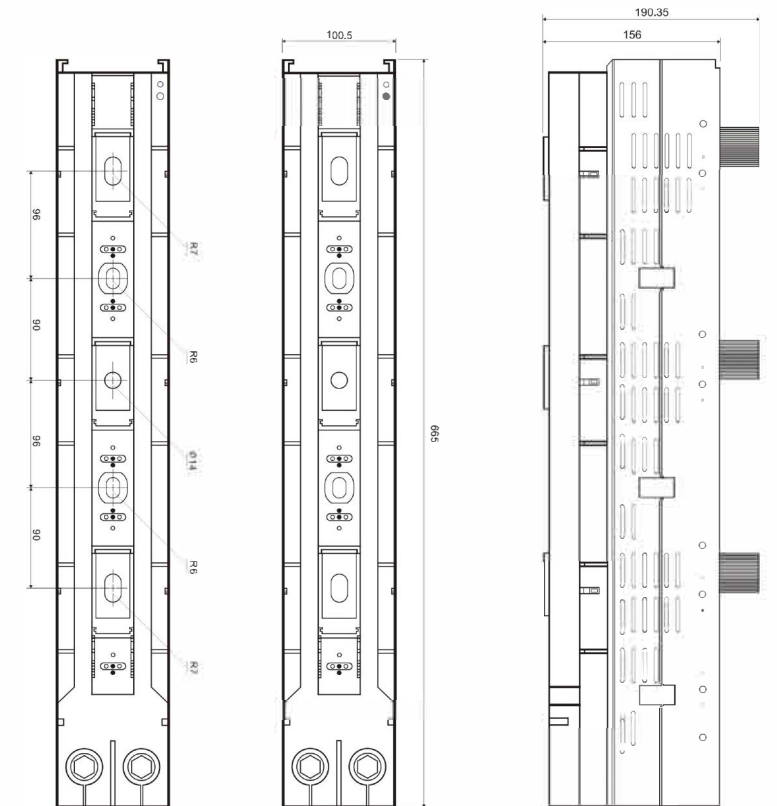
Type of Fuse Switch	UPR2(3)-250			UPR2(3)-400			UPR2(3)-630		
Ue	415,500,690V								
Ith	250A			400A			630A		
Frequency	50/60Hz			50/60Hz			50/60Hz		
Ui	1000V			1000V			1000V		
Uimp	10KV			10KV			10KV		
Application category	415V	500V	690V	415V	500V	690V	415V	500V	690V
	AC23B	AC22B	AC21B	AC23B	AC22B	AC21B	AC23B	AC22B	AC21B
Degree Of Protection	IP30			IP30			IP30		
Fuse Size	1			2			3		
Ue	415V	500V	690V	415V	500V	690V	415V	500V	690V
Ie	250A	250A	250A	400A	400A	350A	630A	630A	500A
Wire Specifications	120mm ²			240mm ²			300mm ²		
General Connection Mode	Screw&Cable lug			Screw&Cable lug			Screw&Cable lug		
The Special Connection Mode	V-clamp								
Installation of Busbar	Punched rectangle busbar			Unpunched rectangle busbar			Other		
Fixed Way	Screw			Hook			other custom accessories		



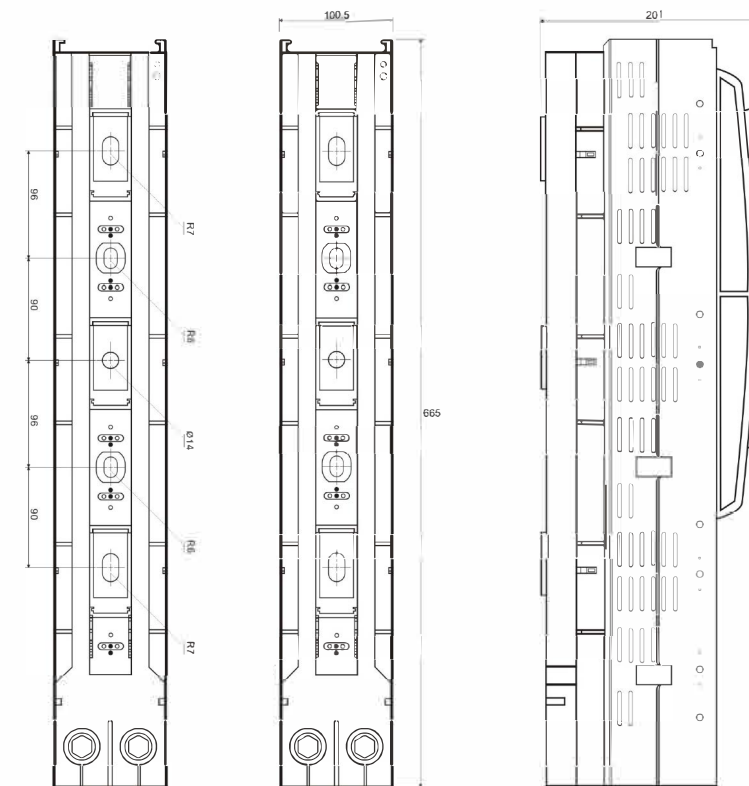
UPR2(3)-250 400 630

Installation dimension:

UPR2

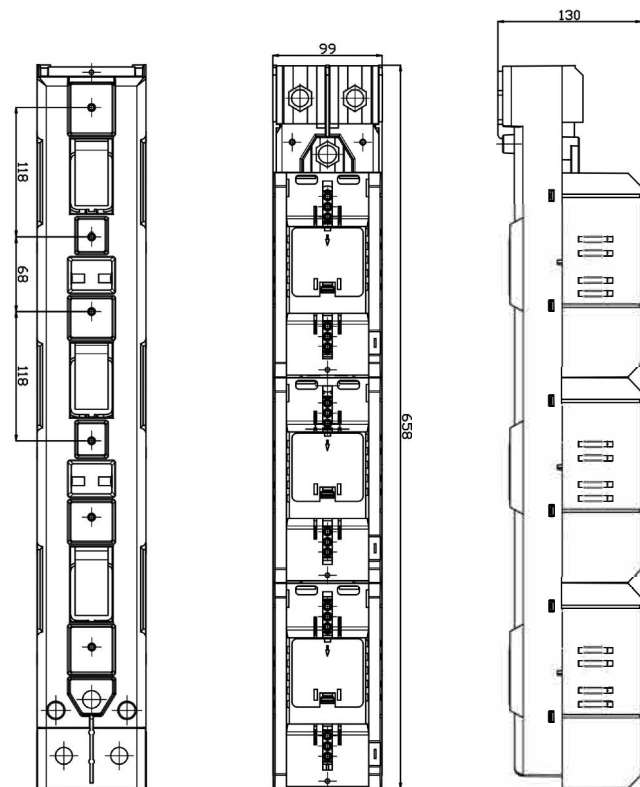


UPR3



UPR SERIES STRIP TYPE FUSE RAIL

Type of Fuse Switch	UPR4-250			UPR4-400			UPR4-630		
Ue	415,500,690V								
Ith	250A			400A			630A		
Frequency	50/60Hz			50/60Hz			50/60Hz		
Ui	1000V			1000V			1000V		
Uimp	10KV			10KV			10KV		
Application category	415V	500V	690V	415V	500V	690V	415V	500V	690V
	AC23B	AC22B	AC21B	AC23B	AC22B	AC21B	AC23B	AC22B	AC21B
Degree Of Protection	IP30			IP30			IP30		
Fuse Size	1			2			3		
Ue	415V	500V	690V	415V	500V	690V	415V	500V	690V
Ie	250A	250A	200A	400A	400A	350A	630A	630A	500A
Wire Specifications	120mm ²			240mm ²			300mm ²		
General Connection Mode	Screw&Cable lug								
The Special Connection Mode	V-clamp								
Installation of Busbar	1.Punched rectangle busbar 2.Unpunched rectangle busbar 3.Other								
Fixed Way	1.Screw 2.Hook 3.Other custom accessories								



NT / NH SERIES FUSE BASE

NT/NH series of fuse links are mainly used in electrical equipments for protecting the circuits against overload and short-circuit. It also can protecting motor. They are suitable for the circuit of AC50Hz, rated voltage up to 1140V, rated current up to 1250A. The breaking capacity of the fuse links is to 120KA. The fuse links conform to the standards of IEC269.



NT/NH SERIES

Technical drawings of the NT/NH series fuse links. The drawings show the fuse links from different perspectives, including a side view with dimensions A, B, and C, and a top view with dimensions D, H, and 2.5^{+0.5}. The top view also shows a central hole with diameter 6 and a distance of 10 from the center to the edge.

Model of fuse link	Rated voltage (V)	Rated current (A)	Weight (g)	Drawing No.	Overall dimension(mm)					
					A	B	C	D	H	
Domestic and oversea similar products										
(gG) (aR) Quick speed										
NT1 NH1	500/690	32-250	360	1.4	135	68	20	48	62	
NT2 NH2	500/690	80-400	650	1.4	150	68	25	58	72	
NT3 NH3	500/690	160-630	850	1.4	150	68	32	67	84.5	

Technical drawings of the NT/NH series fuse bases. The drawings show the base from different perspectives, including a side view with dimensions C1 and C2, and a top view with dimensions A1, A2, A3, B1, and B2. The top view also shows a central hole with diameter 2-φd.

Model, size and specification of applicable fuse link	Rated insulation voltage (V)	Rated current(A)	Weight (g)	Drawing No.	Overall dimension(mm)									
					A ₁	A ₂	A ₃	B ₁	B ₂	C ₁	C ₂	φd		
RT16-1 NT1 NH1	690	250	550	2.15	25	175	200	30	58	38	84	10.5		
RT16-2 NT2 NH2	690	400	770	2.15	25	200	225	30	60	38	100	10.5		
RT16-3 NT3 NH3	690	630	965	2.15	25	210	250	30	60	40	105	10.5		

BH SERIES

Product Description

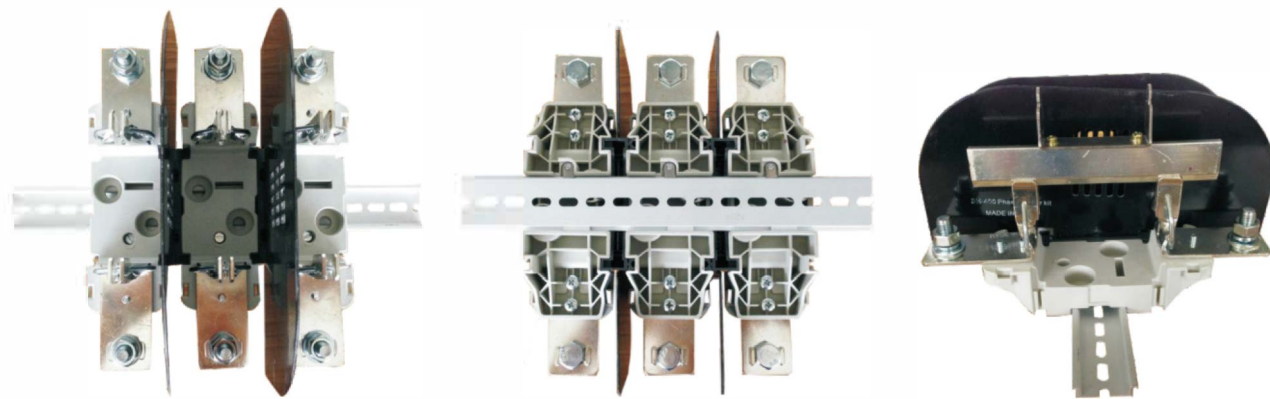
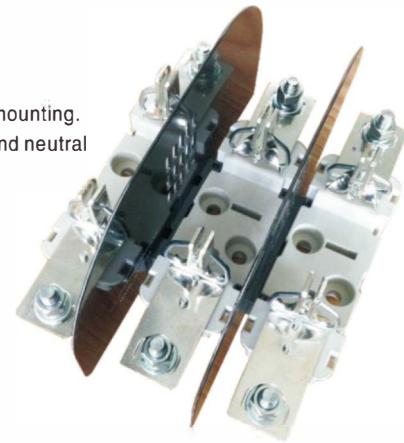
Barfuse BH series fuse bases range has been designed with nylon bodies DIN-Rail and/or screw mounting. This range comes with an accessories, including phase barriers: IP20 finger safe protection kits and neutral links.

Technical data:

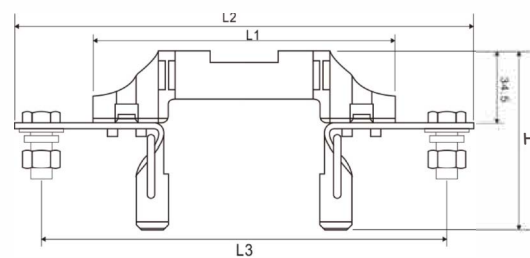
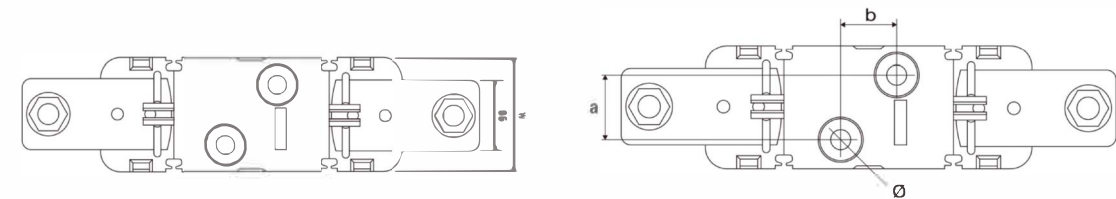
Rated voltage: 690 V
 Rated current: 160 to 630 A
 Rated for fuse links with breaking capacity of 120 kA

Standard/Approvals:

IEC 60269-1 and 2
 VDE 0636-1 and 2



TYPE SPECIFICATION



DRAWING:

ITEM	OVERALL SIZE (L1,L2,L3×W×H)	INSTALLATION (a×b×Ø)
BH-250	148,196,175 × 55.5 × 86	29.5 × 25.5 × 9.5
BH-400	148,224,198 × 55.5 × 86	29.5 × 25.5 × 9.5
BH-630	148,247,207 × 55.5 × 86	29.5 × 25.5 × 9.5

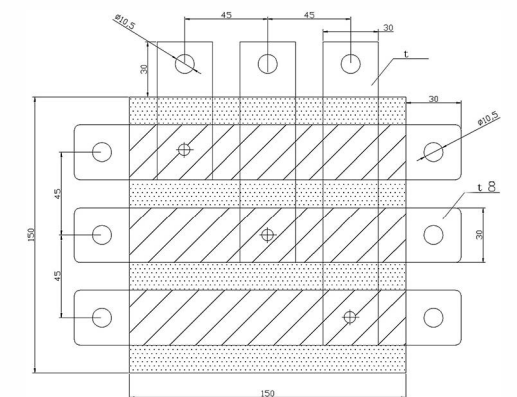
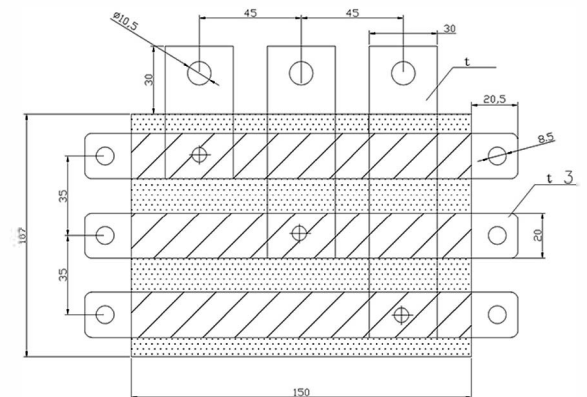
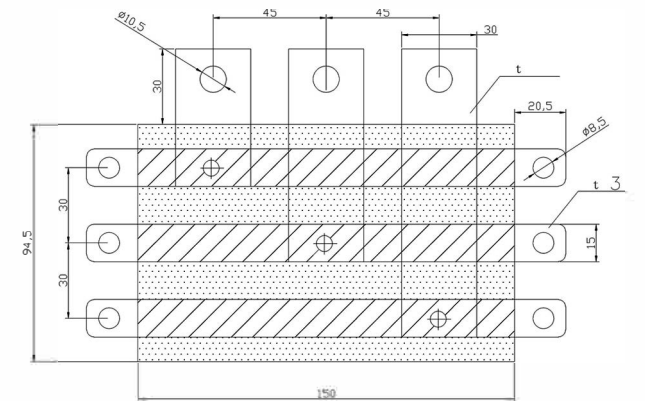
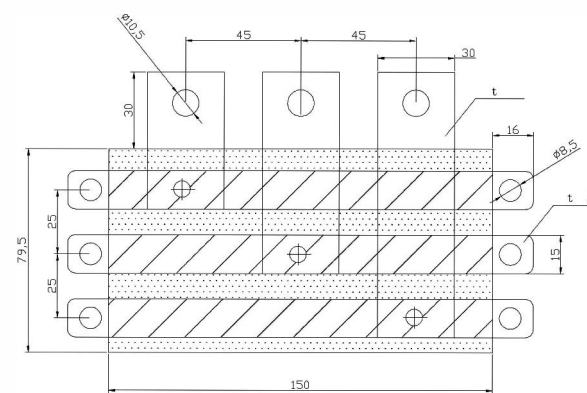
UP3 Series MCCB PAN ASSEMBLY

Incoming: 630A 400A 250A

Outgoing: 400A 250A 125A

Outgoings quantity: 2W 4W 6W 8W 10W 12W 14W

Advantage: It could be assembly according customer's requirements.



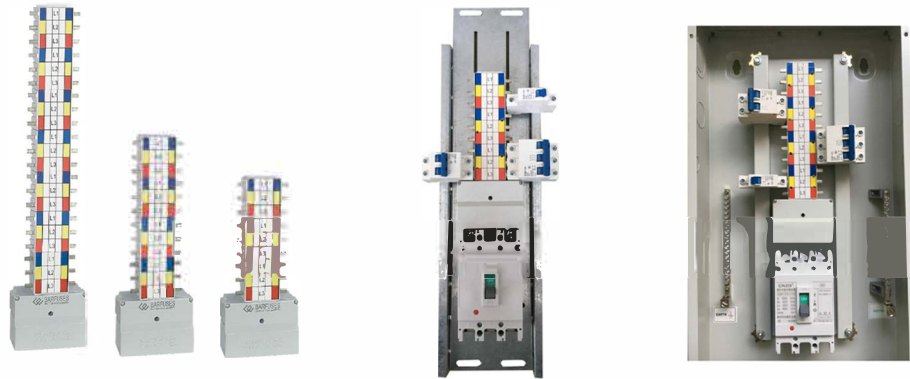
PAN ASSEMBLY

Product Description

In electrical systems subject to the installation requirements stipulated in DIN VDE 0100 or IEC 60204-1 / EN 60204-1/ VDE 0113-1 & IEC 60439, neutral, protective earth or phase conductors are often connected to central bus bars. This requires clear labeling of the conductor or the terminal block to the corresponding circuit.

The connection terminal blocks fulfill these conditions in two ways:

- By marking each terminal block individually
- By their blue, green-yellow or black colored housings.



TYPE & SPECIFICATIONS

Model	Connect Size(mm) Thickness x Width	Outline Size(mm) Thickness x Width	Bus bar Size(mm) Length x Width x Height
UP1-125A/6W	2x5	2x20	126x49x46
UP1-125A/12W	2x5	2x20	180x49x46
UP1-125A/18W	2x5	2x20	234x49x46
UP1-125A/24W	2x5	2x20	288x49x46
UP1-125A/30W	2x5	2x20	342x49x46
UP1-125A/36W	2x5	2x20	396x49x46
UP1-125A/42W	2x5	2x20	450x49x46
UP1-125A/48W	2x5	2x20	504x49x46
UP1-125A/54W	2x5	2x20	558x49x46
UP1-125A/60W	2x5	2x20	612x49x46
UP1-125A/6W	3x5	3x20	126x49x46
UP1-250A/12W	3x5	3x20	180x49x46
UP1-250A/18W	3x5	3x20	234x49x46
UP1-250A/24W	3x5	3x20	288x49x46
UP1-250A/30W	3x5	3x20	342x49x46
UP1-250A/36W	3x5	3x20	396x49x46
UP1-250A/42W	3x5	3x20	450x49x46
UP1-250A/48W	3x5	3x20	504x49x46
UP1-250A/54W	3x5	3x20	558x49x46
UP1-250A/60W	3x5	3x20	612x49x46

UPD01 Series 1 Phase Distribution Box(IP40)



No. of ways	Dimensions(mm)		
	W	H	D
4 ways	470	536	120
6 ways	470	590	120
8 ways	470	644	120
12 ways	470	698	120

Pls list main switch as Isolator or MCCB clearly when send order

UPD02 Series 3 Phase Distribution Box(New Type) IP40



No. of ways	Dimensions(mm)		
	W	H	D
4 ways	405	451	118
6 ways	405	505	118
8 ways	405	559	118
12 ways	405	677	118

UPD03 Series 1 Phase Distribution Box(IP40)Surface Type



No.of ways	Dimensions(mm)		
	W	H	D
4 ways	233	210	97
6 ways	283	210	97
8 ways	333	210	97
12 ways	433	210	97

Standard consumer unit-100A mp main DP SWITCH/DP RCD

UPD04 Series 3 Phase Distribution Box(IP40)Surface Type



No.of ways	Dimensions(mm)		
	W	H	D
4 ways	365	470	135
6 ways	365	545	135
8 ways	365	620	135
12 ways	365	770	135

Standard consumer unit-100A mp main DP SWITCH/DP RCD

UPD05 Series 3 Phase Distribution Box(New Type)IP40



For Surface Mounting

No.of ways	Dimensions(mm)		
	W	H	D
4 ways	380	450	120
6 ways	380	504	120
8 ways	380	558	120
12 ways	380	666	120

Pls list main switch as isolator or MCCB clearly when send order

For Flush Mounting

No.of ways	Dimensions(mm)		
	W	H	D
4 ways	410	480	120
6 ways	410	534	120
8 ways	410	588	120
12 ways	410	696	120

Pls list main switch as isolator or MCCB clearly when send order

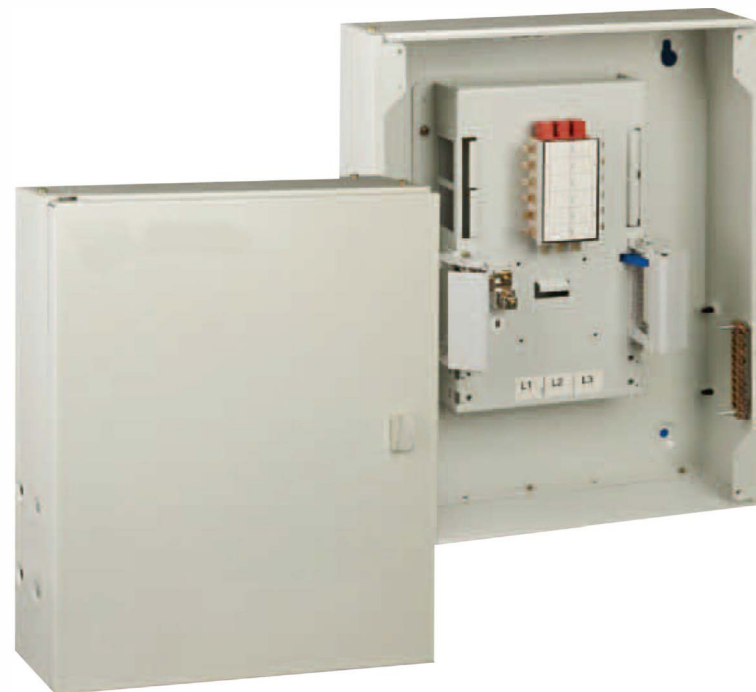
UPD06 Series 3 Phase Distribution Box(IP40)



No.of ways	Dimensions(mm)		
	W	H	D
4 ways	400	500	140
6 ways	400	554	140
8 ways	400	608	140
12 ways	400	716	140

Three phase, standard consumer unit-100Amp main DP switch/DP RCD

UPD07 Series 3 Phase Distribution Box(IP40)



No.of ways	Dimensions(mm)		
	W	H	D
4 ways	430	550	155
6 ways	430	604	155
8 ways	430	658	155
12 ways	430	766	155

UPD08 Series 1 Phase Distribution Box(IP40)



No.of ways	Size of surface type (mm)		
	W	H	D
6 ways	208	230	90
8 ways	244	230	90
10 ways	280	230	90
12 ways	316	230	90
14 ways	352	230	90
16 ways	388	230	90
18 ways	424	230	90
20 ways	460	230	90
22 ways	496	230	90

No.of ways	Size of flush type (mm)		
	W	H	D
6 ways	221	243	90
8 ways	257	243	90
10 ways	293	243	90
12 ways	329	243	90
14 ways	365	243	90
16 ways	401	243	90
18 ways	437	243	90
20 ways	473	243	90
22 ways	509	243	90

UPD09 Series 3 Phase Distribution Box(IP40)



No.of ways	Dimensions(mm)		
	W	H	D
4 ways	205	252	90
6 ways	241	252	90
8 ways	277	252	90
12 ways	349	252	90

UPD10 Series 3 Phase Distribution Box(IP40)



For Surface Mounting

No.of ways	Dimensions(mm)		
	W	H	D
4 ways	370	475	115
6 ways	370	550	115
8 ways	370	625	115
12 ways	370	775	115

Three phase,Standard Consumer Unit-100Amp main DP Switch/DP RCD

For Flush Mounting

No.of ways	Dimensions(mm)		
	W	H	D
4 ways	395	500	115
6 ways	395	575	115
8 ways	395	650	115
12 ways	395	800	115

Three phase,Standard Consumer Unit-100Amp main DP Switch/DP RCD

UPD11 Series Distribution Box(IP40)



Model	Size of surface type(mm)		
	W	H	D
3 ways	95	15	60
4 ways	112	200	95
6 ways	148	200	95
8 ways	184	200	95
10 ways	222	200	95
12 ways	256	200	95
15 ways	312	200	95
18 ways	360	220	100
24 ways	270	328	100
36 ways	270	460	100
45 ways	325	470	100

	Size of flush type(mm)		
	W	H	D
3 ways	95	150	60
4 ways	136	221	90
6 ways	172	221	90
8 ways	208	221	90
10 ways	246	221	90
12 ways	278	221	90
15 ways	334	221	90
18 ways	398	251	100
24 ways	300	350	100
36 ways	300	482	100
45 ways	365	505	110

UPD12 Series Distribution Box



No.of ways	Dimensions(mm)		
	W	H	D
2 ways	45	130	80
4 ways	90	130	80
6 ways	135	130	80
8 ways	180	130	80
12 ways	270	130	80
18 ways	405	130	80
24 ways	290	250	95

UPD13 Junction Box(Without Rubber Plug)-IP55



	Dimensions(mm)		
	W	H	D
0805	80		50
0808	85	85	50
1010	100	100	70
1511	150	110	70
2010	200	100	70
2010-1	200	100	110
2015	200	155	80
2020	200	200	80
2520	255	200	80

UPD14 Waterproof Junction Box(IP65)



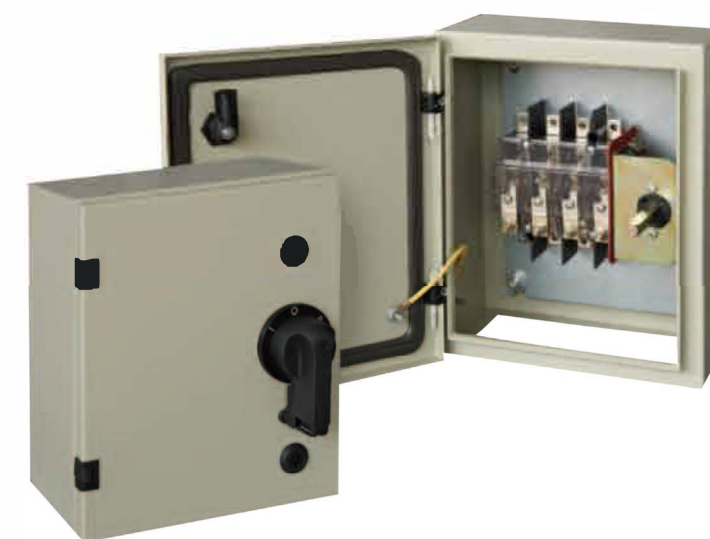
Model	Dimensions(mm)		
	W	H	D
0605	65	50	55
0808	80	80	60
1108	110	80	70
1010	100	100	70
1210	120	100	70
1511	150	110	70
1515	150	150	80
1712	175	125	75
1712-1	175	125	100
2010	200	100	80
1818	180	150	80
2015	200	155	100
2020	200	200	100
2520	250	200	100
3025	300	250	130
3530	350	300	130
4035	400	350	130

UPD15 Series Changeover Switch(New Type)IP40



Amps	Dimensions(mm)		
	W	H	D
32	221	235	110
63	308	327	138
100	327	440	144

UPD16 Series Changeover Switch(IP65)



Amps	Dimensions(mm)		
	W	H	D
32	200	300	170
63	250	300	200
100	250	300	200
125	200	300	170
200	300	400	255

JXFB17 Series Waterproof Distribution Box(IP65)



	Height(mm)	Width(mm)	Depth(mm)
JXF-2020/15	200	200	150
JXF-3025/15	300	250	150
JXF-3025/20	300	250	200
JXF-3030/15	300	300	150
JXF-3030/20	300	300	200
JXF-3040/20	300	400	200
JXF-4030/15	400	300	150
JXF-4030/20	400	300	200
JXF-4040/20	400	400	200
JXF-4060/25	400	600	250
JXF-4060/30	400	600	300
JXF-5040/15	500	400	150
JXF-5040/20	500	400	200
JXF-5040/25	500	400	250
JXF-5050/25	500	500	250
JXF-6040/15	600	400	150
JXF-6040/20	600	400	200
JXF-6040/25	600	400	250
JXF-6050/15	600	500	150
JXF-6050/20	600	500	200
JXF-6050/25	600	500	250

	Height(mm)	Width(mm)	Depth(mm)
JXF-6060/25	600	600	250
JXF-6060/30	600	600	300
JXF-6080/30	600	800	300
JXF-7050/20	700	500	200
JXF-7050/25	700	500	250
JXF-8060/20	800	600	200
JXF-8060/25	800	600	250
JXF-8060/30	800	600	300
JXF-8060/40	800	600	400
JXF-8080/20	800	800	200
JXF-8080/30	800	800	300

	Height(mm)	Width(mm)	Depth(mm)
JXF-80100/30	800	1000	300
JXF-10060/25	1000	600	250
JXF-10060/30	1000	600	300
JXF-10080/25	1000	800	250
JXF-10080/30	1000	800	300
JXF-10080/40	1000	800	400
JXF-100100/30	1000	1000	300
JXF-100120/30	1000	1200	300
JXF-12080/30	1200	800	300
JXF-12080/40	1200	800	400
JXF-120100/30	1200	1000	300

Accessories



UPA01 Fuse puller



UPA08 Neutral terminal



UPA02 Neutral link



UPA09 Earth terminal



UPA03 / 04 Poles cover



UPA10 MCB 18mm link **BFA11 MCB 27mm link**



UPA05 Plastic lock



UPA12 MCCB 35mm link **BFA13 MCCB 25mm link**



UPA06 Metal hinge



UPA14 Mounting screws 3x45 mm



UPA07 Spring hinge



UPA15 Adjustable screw