

DISTRIBUTION

BOX

Enclosure for industrial &
Electrical Appliances



WENZHOU UP ELECTRICAL CO.,LTD

Address:No.208 Wei 7th Road, Yueqing Economic Development Zone,
Yueqing City, Wenzhou City, Zhejiang, China

Tel:+86 577 61666659 Mobile:+86 19836275555

www.upelectricals.com

sales@upelectricals.com



Pay attention to quality and details

We always insist our business ideas of " Quality is our life" and implement this ideas during all our development.

So that we win not only the trust from our customers but also more confidence of our future.



A

Metal Enclosure With Metal Cover

- 001 UDB-A Series 1 Phase Distribution Box (IP40)
- 003 UDB-A Series 3 Phase Distribution Box (IP40)
- 005 UDB-A Series 1 Phase Distribution Box (New Type) IP40
- 007 UDB-A Series 3 Phase Distribution Box (New Type) IP40
- 009 UDB-S Series 1 Phase Distribution Box (IP40)
- 011 UDB-S Series 3 Phase Distribution Box (IP40)
- 013 UDB-B Series 3 Phase Distribution Box (IP40)
- 015 UDB-V Series 1 Phase Distribution Box (IP40)
- 017 UDB-V Series 3 Phase Distribution Box (IP40)
- 019 UDB-N Series 1 Phase Distribution Box (IP40)
- 021 UDB-N Series 3 Phase Distribution Box (IP40)
- 023 UDB-N Series Distribution Box (Chassis Enclosure Type) IP40
- 025 UDB-H Series 1 Phase Distribution Box (New Type) IP40
- 027 UDB-H Series 3 Phase Distribution Box(New Type) IP40
- 029 UDB-H Series 1 Phase Distribution Box (Old Type) IP40
- 031 UDB-H Series 3 Phase Distribution Box (Old Type) IP40
- 033 UDB-M Series 1 Phase Distribution Box (IP40)
- 035 UDB-M Series 3 Phase Distribution Box (IP40)
- 037 UDB-T Series 3 Phase Distribution Box (IP40)
- 039 UDB-E Series 1 Phase Distribution Box (IP40)
- 041 UDB-E Series 3 Phase Distribution Box (IP40)
- 043 UDB-C Series 1 Phase Distribution Box (IP40)
- 045 UDB-G Series Distribution Box (IP40)
- 046 UDB-AB Series Distribution Box (IP40)
- 047 UDB-D Series Distribution Box (IP40)

B

Metal Enclosure With Plastic Cover

- 048 UDB-I Series Distribution Box (IP40)
- 049 UDB-J Series Distribution Box (IP40)
- 050 UDB-K Series Discription Box (IP40)
- 051 UDB-L Series Distribution Box (IP40)
- 052 UDB-P Series Distribution Box (IP40)
- 053 UDB-Q Series Distribution Box (IP40)
- 054 UDB-NTSM Series Distribution Box (IP40)
- 055 UDB-VC Series Distribntion Box (IP40)
- 056 UDB-TL Series Distribution Box (IP40)
- 057 UDB-TY Series Distribution Box (IP40)
- 058 UDB-PZ40 Series Meter Box (IP40)
- 059 UDB-R Series Multi-Media Information Box (IP40)

C

Plastic Enclosure With Plastic Cover

060	UDB-HPK Series Distribution Box (IP40)
061	UDB-F Series Distribution Box (IP40)
062	UDB-TSM Series Distribution Box (IP40)
063	UDB-LGD Series Distribution Box (IP40)
064	UDB-HA Series Waterproof Distribution Box (IP65)
065	UDB-HK Series Water Proof Distribution Box (IP55)
066	UDB-HT Series Water Proof Distribution Box (IP65)
067	UDB-HAG II Series Distribution Box
068	UDB-HAG III Series Distribution Box
069	UDB-GY Series Distribution Box
070	WP Series Waterproof Isolating Switches (IP56)
071	56CB-4N Series Switch Box (IP66)
072	56CB1-4N Series Switch Box (IP66)
073	Socket Box
074	Waterproof Junction Box (IP65)
075	Junction Box (With Rubber Plug)-IP55
076	Junction Box (Without Rubber Plug)-IP55

D

Industry Enclosure

077	UDB-K1 Series 1 Phase Switch Box
079	UGS-M Series Gear Switch (IP40)
081	UCS-H Series Changeover Switch (New Type) IP40
083	UCS-H Series Changeover Switch (Old Type) IP40
085	UCS-E Series Changeover Switch (IP65)
087	UDB-JXF Series Waterproof Distribution Box (IP65)
089	Wall Mounting Series Distribution Box (IP65)
091	UDB-DN / DW / DL Series Power Distribntion Box (IP40-IP65)
093	Floor Standing Cabinet Series (Chassis Enclosure Type)

E

Stainlass Steel Enclosure

095	UDB-PZ30 Series Stainless Steel Distribution Box
096	Stainless Steel Control Box
097	Stainless Steel Outdoor Power Box
098	Stainless Steel Single Phase Electric Meter Box
099	Stainless Steel Three-phase Electric Meter Box (with switch)
100	Stainless Steel Three-phase Electric Meter Box (Outdoor)
101	Stainless Steel Outdoor Integrated Distribution Box
102	Stainless Steel Outdoor Integrated Distribution Box



WENZHOU UP
ELECTRICAL
www.upelectricals.com



RoHS ISO9001



UDB-A Series 1 Phase Distribution Box

Application:

UDB-A series 1 phase distribution box is designed for safe, reliable distribution and control of electrical power as service entrance equipment in residential, commercial and light industrial installations.

Material

1. Steel sheet with pc glass, and copper fittings inside;
2. Paint finish: Both externally and internally;
3. Protected with epoxy polyester coating;
4. Textured finish RAL7032 or RAL7035.

Lifetime:

More than 20 years;
Our products are accord with IEC 60947-3 standard.

UDB-A Series 1 Phase Distribution Box (IP40)

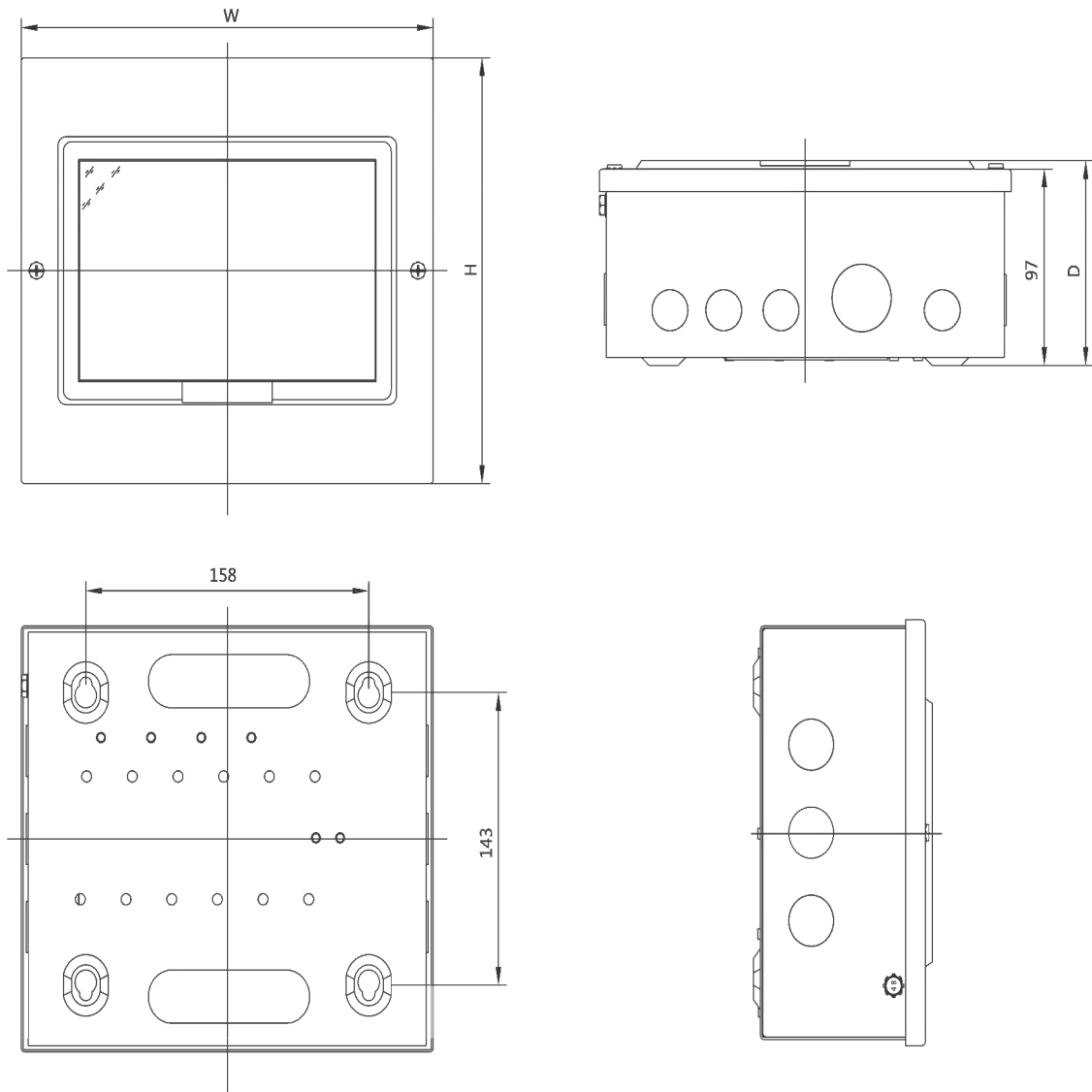


Specifications

Surface type model	Flush type model	No.of ways
UDB-A-SPN-4-S	UDB-A-SPN-4-F	4 ways
UDB-A-SPN-6-S	UDB-A-SPN-6-F	6 ways
UDB-A-SPN-8-S	UDB-A-SPN-8-F	8 ways
UDB-A-SPN-12-S	UDB-A-SPN-12-F	12 ways

Single phase, Standard Consumer Unit-100Amp main DP Switch/DP RCD

Overall and installation dimensions





WENZHOU UP
ELECTRICAL
www.upelectricals.com



RoHS ISO9001



UDB-A Series 3 Phase Distribution Box

Application:

UDB-A series 3 phase distribution box is Newest-style, Safe and reliable electric service entrance distribution and control equipment for residential, commercial and light industrial equipment.

MCB is plug-in design. The product is used for both indoor and outdoor.

Material

1. Steel sheet and copper fittings inside;
2. Paint finish: Both externally and internally;
3. Protected with epoxy polyester coating;
4. Textured finish RAL7032 or RAL7035.

Lifetime:

More than 20 years;

Our products are accord with IEC 60947-3 standard.

UDB-A Series 3 Phase Distribution Box (IP40)

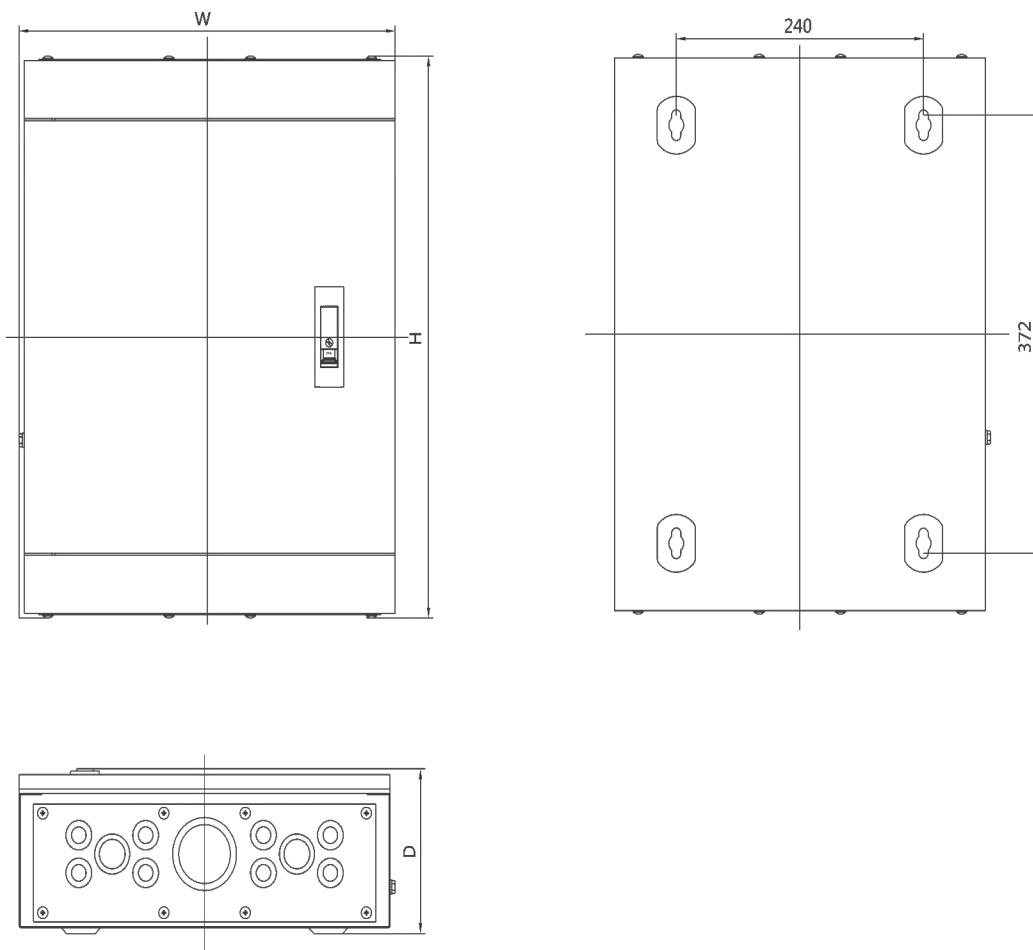
A

Specifications

Surface type model	No.of ways	Dimensions(mm)		
		W	H	D
UDB-A-TPN-4-S	4 ways	365	470	135
UDB-A-TPN-6-S	6 ways	365	545	135
UDB-A-TPN-8-S	8 ways	365	620	135
UDB-A-TPN-12-S	12 ways	365	770	135

Three phase, Standard Consumer Unit-100Amp main DP Switch/DP RCD

Overall and installation dimensions





**WENZHOU UP
ELECTRICAL**
www.upelectricals.com



RoHS ISO9001



UDB-A Series 1 Phase Distribution Box (New Type)

Application:

UDB-A series 1 phase distribution box is designed for used in family, house, station and so on place. it is easy to install, the appearance is attractive and the function is highly reliable. the enclosure material is steel sheet and the cover is transparent plastic. The product attached with neutral and earth terminals and din rail.

Technical data:

Standara: IEC 439-1 & BS 60439-1
Max.load: 100Amps
Max.voltage: 230Vac, 50Hz
Range: 7, 10, 16 and 20 modules

Degree of protection: IP40
Enclosure material: Cold rolled steel sheet
Enclosure finishing: Gray, RAL7035

UDB-A Series 1 Phase Distribution Box(New Type) IP40

A

Specifications

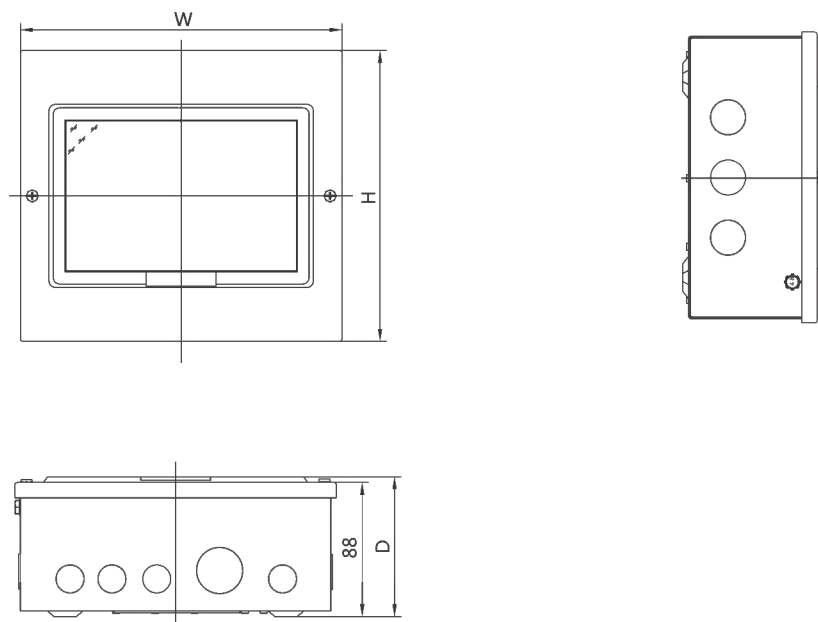
For Surface Mounting

Model	No.of ways	Dimensions(mm)		
		W	H	D
UDB-A-SPN-4-S	4 ways	230	208	92
UDB-A-SPN-6-S	6 ways	280	208	92
UDB-A-SPN-8-S	8 ways	330	208	92
UDB-A-SPN-12-S	12 ways	430	208	92

For Flush Mounting

Model	No.of ways	Dimensions(mm)		
		W	H	D
UDB-A-SPN-4-F	4 ways	242	220	92
UDB-A-SPN-6-F	6 ways	292	220	92
UDB-A-SPN-8-F	8 ways	342	220	92
UDB-A-SPN-12-F	12 ways	442	220	92

Overall and installation dimensions





WENZHOU UP
ELECTRICAL
www.upelectricals.com



RoHS ISO9001



UDB-A Series 3 Phase Distribution Box(New Type)

Product Description

The UDB-A distribution boards are available with a fixed load or split load pan assembly. They have a fully flush fitted metal door with a "slam" type catch. All boards are delivered with both Neutral and Earth bars fitted and the neutral is designed to wrap around the incoming device to ensure that extra wiring space is available for the outgoing devices.

The incoming device must be selected and fitted by the installer. The top and bottom gland plates are removable and also include knock-outs to suit standard size conduits. The pan assembly is fully shrouded and the busbars are one piece in design, this ensures that no "hot spots" can occur as there are no mechanical joints. The boards conform to BSEN 60439-1 & 3.

UDB-A Series 3 Phase Distribution Box(New Type) IP40



Specifications

For Surface Mounting

Model	No.of ways	Dimensions(mm)		
		W	H	D
UDB-A-TPN-4-S	4 ways	380	450	120
UDB-A-TPN-6-S	6 ways	380	504	120
UDB-A-TPN-8-S	8 ways	380	558	120
UDB-A-TPN-12-S	12 ways	380	666	120

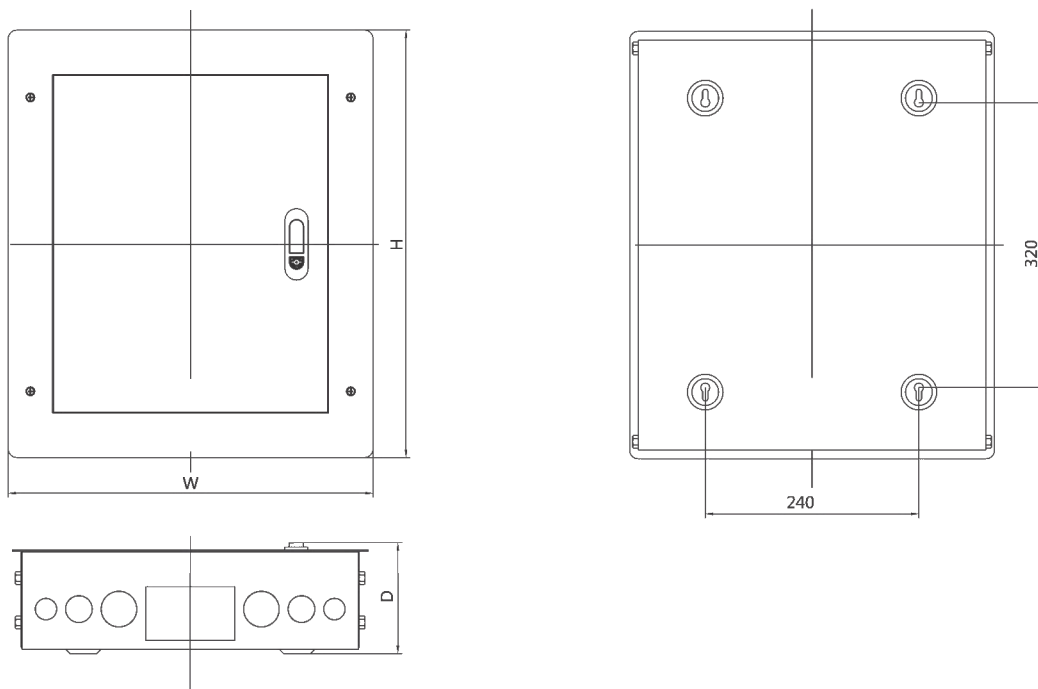
Pls list main switch as Isolator or MCCB clearly when send order.

For Flush Mounting

Model	No.of ways	Dimensions(mm)		
		W	H	D
UDB-A-TPN-4-F	4 ways	410	480	120
UDB-A-TPN-6-F	6 ways	410	534	120
UDB-A-TPN-8-F	8 ways	410	588	120
UDB-A-TPN-12-F	12 ways	410	696	120

Pls list main switch as Isolator or MCCB clearly when send order.

Overall and installation dimensions





WENZHOU UP
ELECTRICAL
www.upelectricals.com



RoHS ISO9001



UDB-S Series 1 Phase Distribution Box

Application:

UDB-S series 1 phase distribution box is designed for safe, reliable distribution and control of electrical power as service entrance equipment in residential, commercial and light industrial installations.

Material

1. Steel sheet with pc glass, and copper fittings inside;
2. Paint finish: Both externally and internally;
3. Protected with epoxy polyester coating;
4. Textured finish RAL7032 or RAL7035.

Lifetime:

More than 20 years;
Our products are accord with IEC 60947-3 standard.

UDB-S Series 1 Phase Distribution Box(IP40)

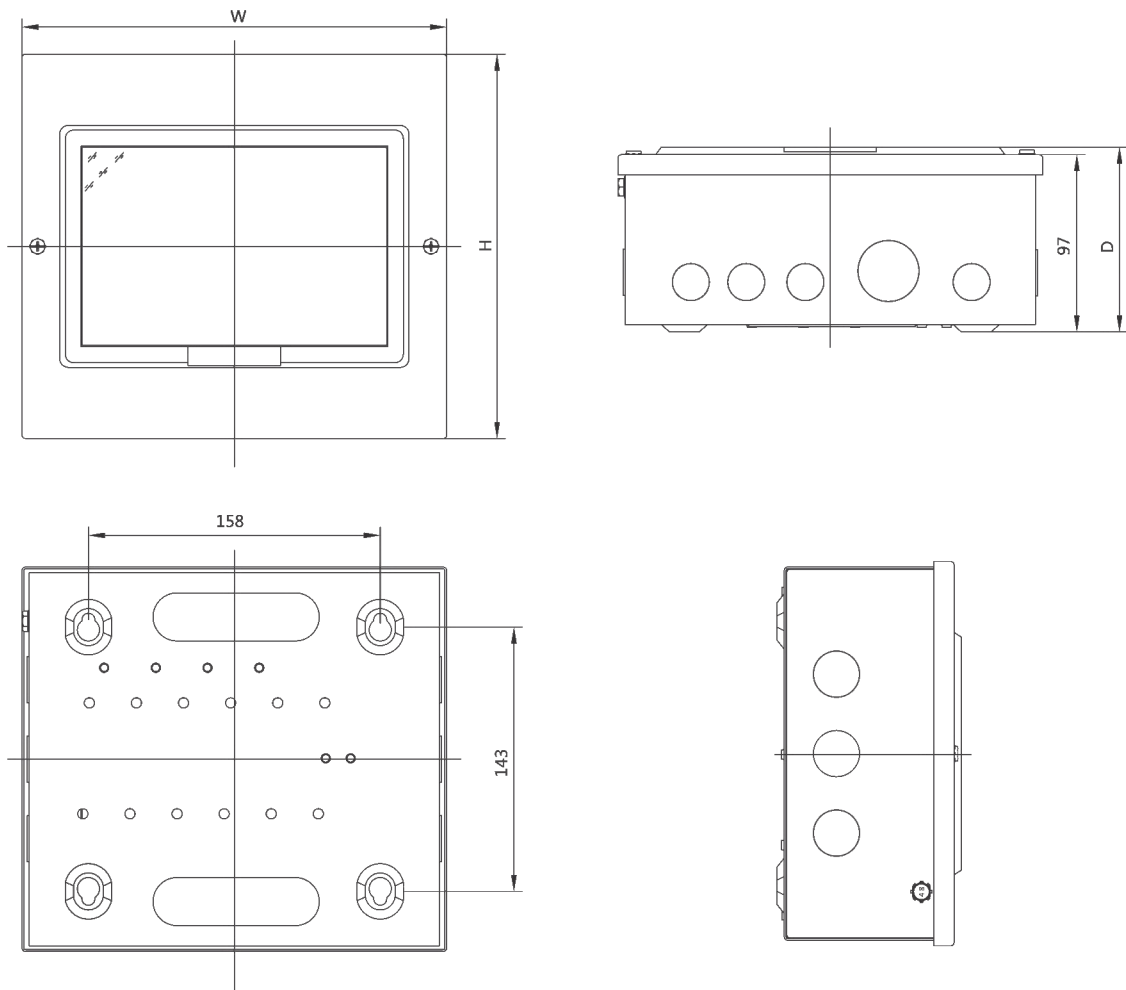


Specifications

Surface type model	Flush type model	No.of ways
UDB-S-SPN-4-S	UDB-S-SPN-4-F	4 ways
UDB-S-SPN-6-S	UDB-S-SPN-6-F	6 ways
UDB-S-SPN-8-S	UDB-S-SPN-8-F	8 ways
UDB-S-SPN-12-S	UDB-S-SPN-12-F	12 ways

Single phase, Standard Consumer Unit-100Amp main DP Switch/DP RCD

Overall and installation dimensions





WENZHOU UP
ELECTRICAL
www.upelectricals.com



RoHS ISO9001



UDB-S Series 3 Phase Distribution Box

Application:

UDB-S series 3 phase distribution box is available in plug in , din rail designs for indoor and outdoor applications and also available with main switch MCB, Isolator MCCB or MCB.

Material

1. Steel sheet and copper fittings inside;
2. Paint finish: Both externally and internally;
3. Protected with epoxy polyester coating;
4. Textured finish RAL7032 or RAL7035.

Lifetime:

More than 20 years;
Our products are accord with IEC 60947-3 standard.

UDB-S Series 3 Phase Distribution Box (IP40)

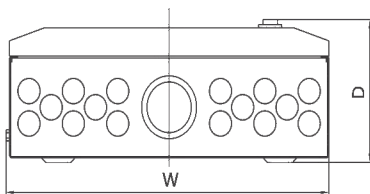
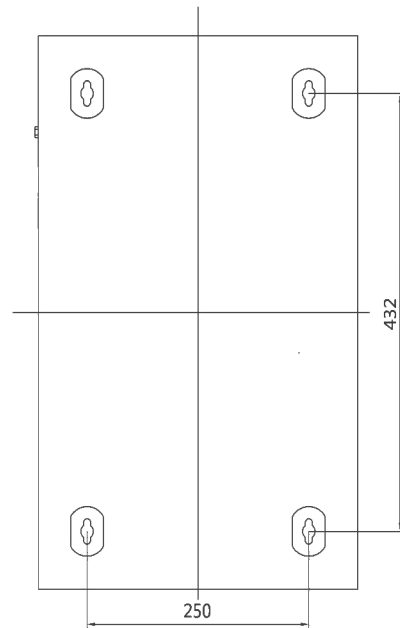
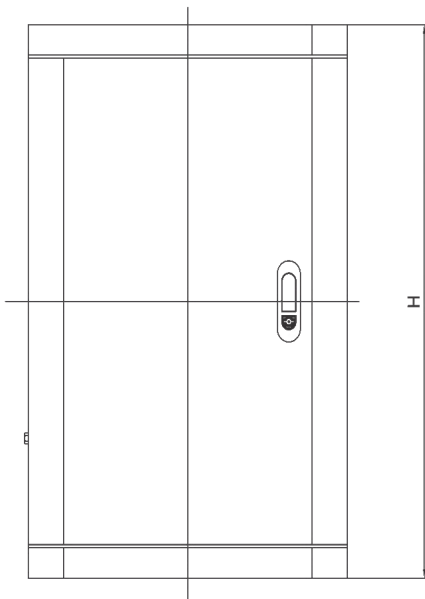
A

Specifications

Surface type model	No.of ways	Dimensions(mm)		
		W	H	D
UDB-S-TPN-4-S	4 ways	365	470	135
UDB-S-TPN-6-S	6 ways	365	545	135
UDB-S-TPN-8-S	8 ways	365	620	135
UDB-S-TPN-12-S	12 ways	365	770	135

Three phase, Standard Consumer Unit-100Amp main DP Switch/DP RCD

Overall and installation dimensions





WENZHOU UP
ELECTRICAL
www.upelectricals.com



RoHS ISO9001



UDB-B Series 3 Phase Distribution Box

Application:

UDB-B series 3 phase distribution box is widely used in the family, high building, house, station, port, airport, commercial house, hospital, cinema, enterprises and so on occasions.

Material

1. Steel sheet and copper fittings inside;
2. Paint finish: Both externally and internally;
3. Protected with epoxy polyester coating;
4. Textured finish RAL7032 or RAL7035.

Lifetime:

More than 20 years;
Our products are accord with IEC 60947-3 standard.

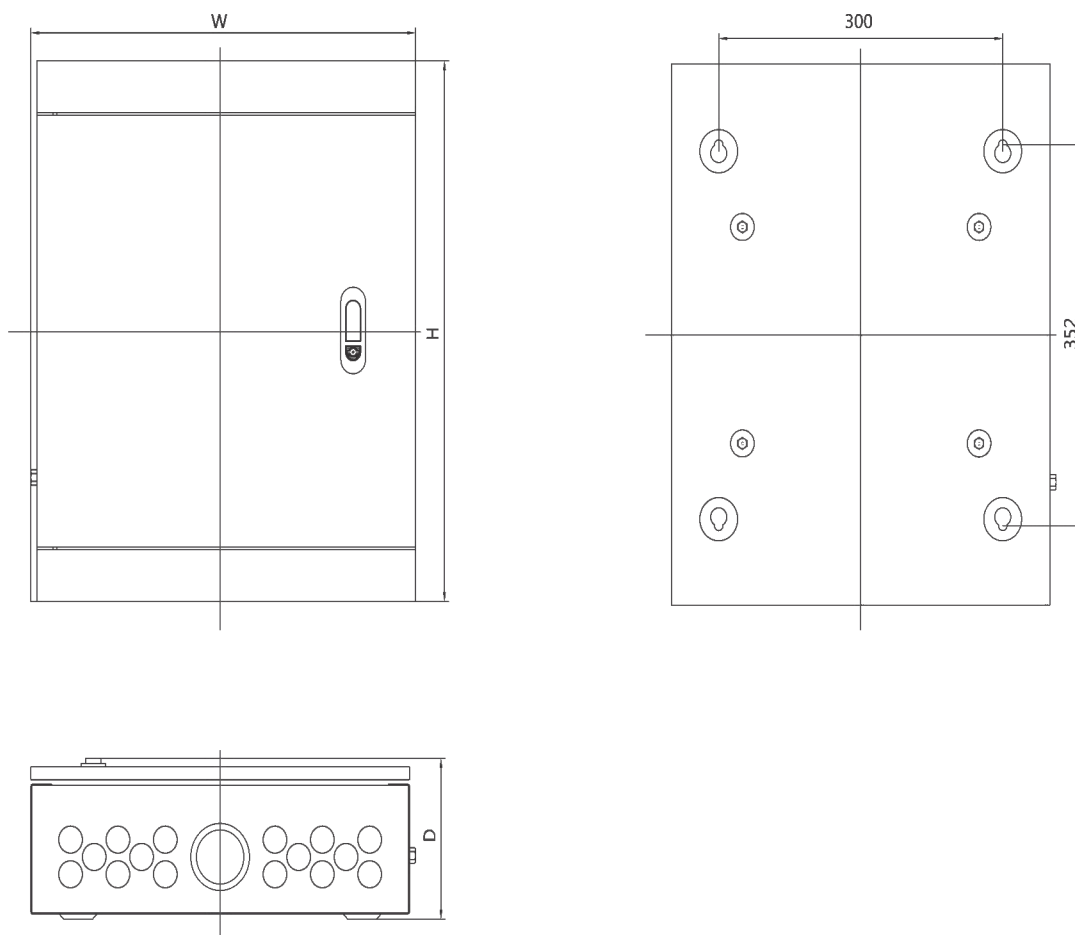
UDB-B Series 3 Phase Distribution Box (IP40)

Specifications

Surface type model	No.of ways	Dimensions(mm)		
		W	H	D
UDB-B-TPN-4-S	4 ways	400	500	140
UDB-B-TPN-6-S	6 ways	400	554	140
UDB-B-TPN-8-S	8 ways	400	608	140
UDB-B-TPN-12-S	12 ways	400	716	140

Three phase, Standard Consumer Unit-100Amp main DP Switch/DP RCD

Overall and installation dimensions





WENZHOU UP
ELECTRICAL
www.upelectricals.com



RoHS ISO9001



UDB-V Series 1 Phase Distribution Box

Application:

UDB-V series 1 phase distribution box is designed for safe, reliable distribution and control of electrical power as service entrance equipment in residential, commercial and light industrial installations.

Material

1. Steel sheet with pc glass, and copper fittings inside;
2. Paint finish: Both externally and internally;
3. Protected with epoxy polyester coating;
4. Textured finish RAL7032 or RAL7035.

Lifetime:

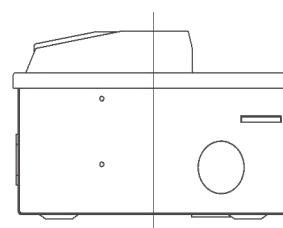
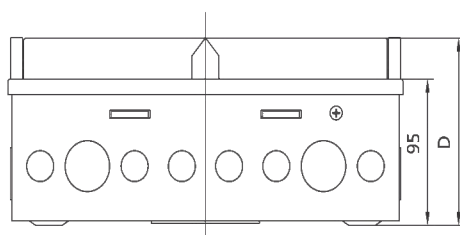
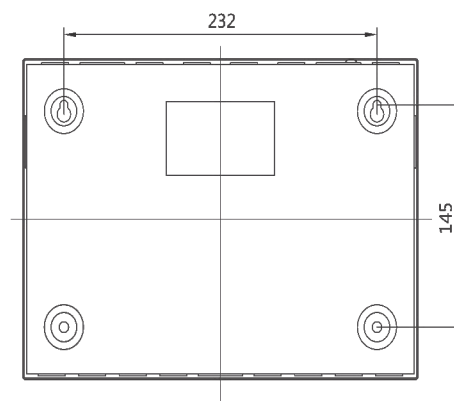
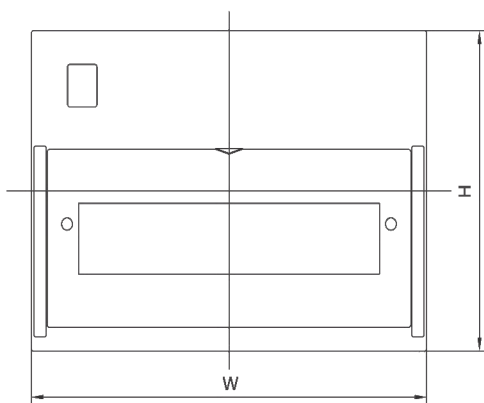
More than 20 years;
Our products are accord with IEC 60947-3 standard.

UDB-V Series 1 Phase Distribution Box (IP40)

Specifications

Model	No.of ways	Rating
Supplied with Main Switch and Busbar.		
UDB-V5	5 ways	100A
UDB-V8	8 ways	100A
UDB-V11	11 ways	100A
UDB-V14	14 ways	100A
Supplied with RCCB and Busbar.		
UDB-V5R	5 ways	80A 30mA
UDB-V8R	8 ways	80A 30mA
UDB-V11R	11 ways	80A 30mA
UDB-V14R	14 ways	80A 30mA

Overall and installation dimensions





WENZHOU UP
ELECTRICAL
www.upelectricals.com



RoHS ISO9001



UDB-V Series 3 Phase Distribution Box

Product Description

The UDB-V distribution boards are available with a fixed load or split load pan assembly. They have a fully flush fitted metal door with a "slam" type catch. All boards are delivered with both Neutral and Earth bars fitted and the neutral is designed to wrap around the incoming device to ensure that extra wiring space is available for the outgoing devices.

The incoming device must be selected and fitted by the installer. The top and bottom gland plates are removable and also include knock-outs to suit standard size conduits. The pan assembly is fully shrouded and the busbars are one piece in design, this ensures that no "hot spots" can occur as there are no mechanical joints. The boards confirm to BSEN 60439-1 & 3.

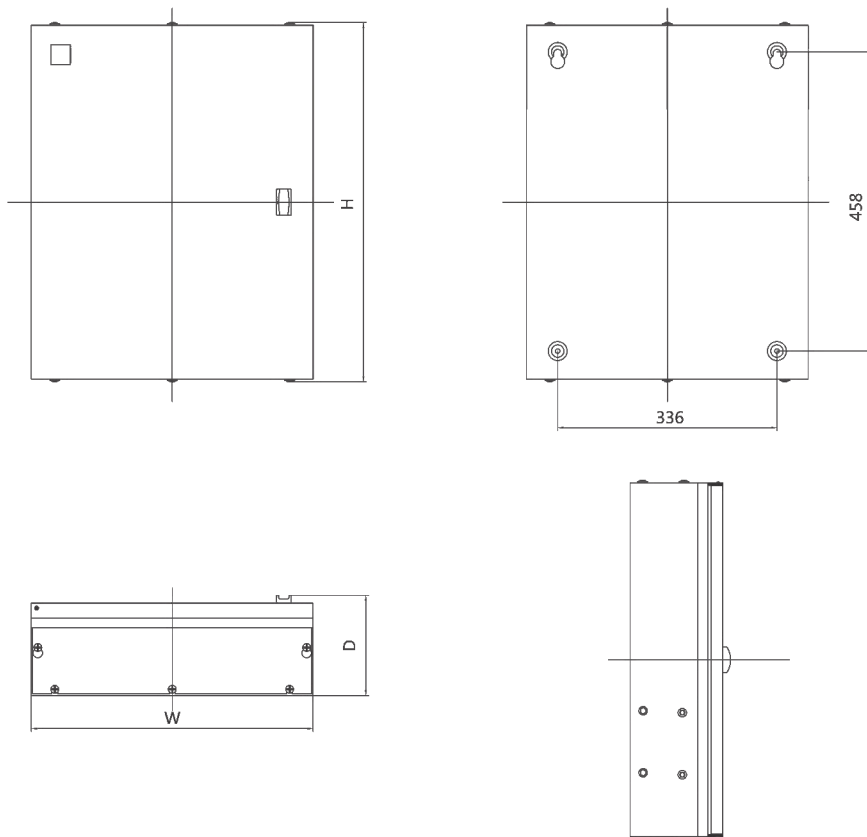
UDB-V Series 3 Phase Distribution Box (IP40)



Specifications

Surface type model	No.of ways	Dimensions(mm)		
		W	H	D
UDB-V04TN3-S	4 ways	430	550	155
UDB-V06TN3-S	6 ways	430	604	155
UDB-V08TN3-S	8 ways	430	658	155
UDB-V12TN3-S	12 ways	430	766	155

Overall and installation dimensions





WENZHOU UP
ELECTRICAL
www.upelectricals.com



RoHS ISO9001



UDB-N Series 1 Phase Distribution Box

Application:

UDB-N series 1 phase distribution box which provided with new construction and reliable capacity is applied to indoor electrical system to protect distribution switches with the capacity of delay and protecting the circuit from overload. The box is composed of Zero line and N line terminal and can be divided into flush install and surface install.

Material

1. Steel sheet and copper fittings inside;
2. Paint finish: Both externally and internally;
3. Protected with epoxy polyester coating;
4. Textured finish RAL7032 or RAL7035.

Lifetime:

More than 20 years;
Our products are accord with IEC 60947-3 standard.

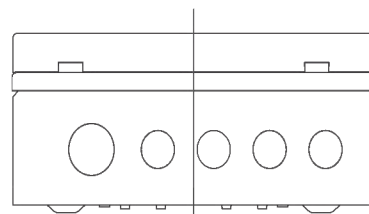
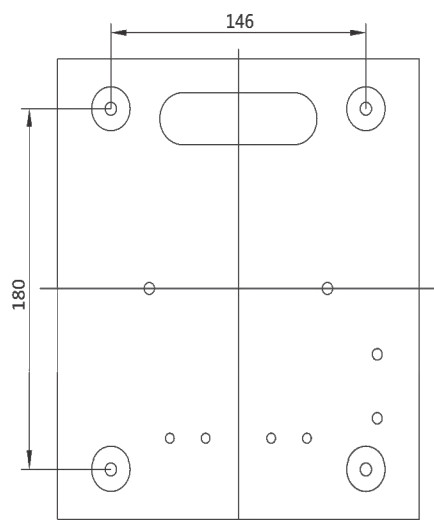
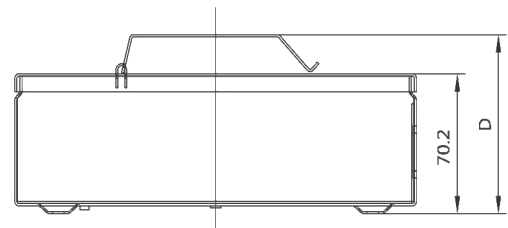
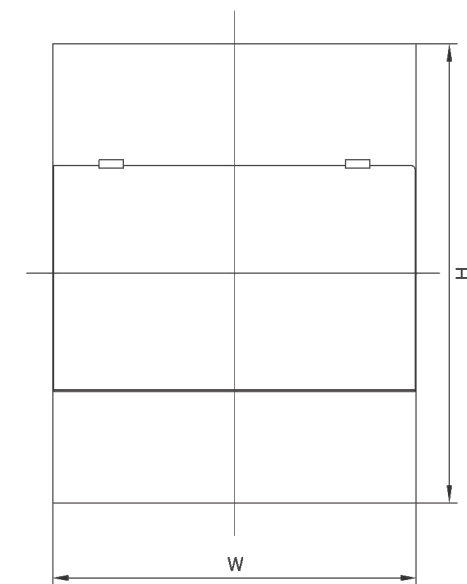
UDB-N Series 1 Phase Distribution Box (IP40)

A

Specifications

Model	No.of ways	Size of surface type (mm)			Size of flush type (mm)		
		W	H	D	W	H	D
UDB-N	6 ways	208	230	90	221	243	90
UDB-N	8 ways	244	230	90	257	243	90
UDB-N	10 ways	280	230	90	293	243	90
UDB-N	12 ways	316	230	90	329	243	90
UDB-N	14 ways	352	230	90	365	243	90
UDB-N	16 ways	388	230	90	401	243	90
UDB-N	18 ways	424	230	90	437	243	90
UDB-N	20 ways	460	230	90	473	243	90
UDB-N	22 ways	496	230	90	509	243	90

Overall and installation dimensions





WENZHOU UP
ELECTRICAL
www.upelectricals.com



RoHS ISO9001



UDB-N Series 3 Phase Distribution Box

Application:

UDB-N series 3 phase distribution box is an assembly of electro-conductive parts, which include the miniature circuit breakers (MCB) of various rating, isolator switch, neutral & earth bars, all enclosed in a steel metal case.

Material

1. Steel sheet and copper fittings inside;
2. Paint finish: Both externally and internally;
3. Protected with epoxy polyester coating;
4. Textured finish RAL7032 or RAL7035.

Lifetime:

More than 20 years;
Our products are accord with IEC 60947-3 standard.

UDB-N Series 3 Phase Distribution Box(IP40)

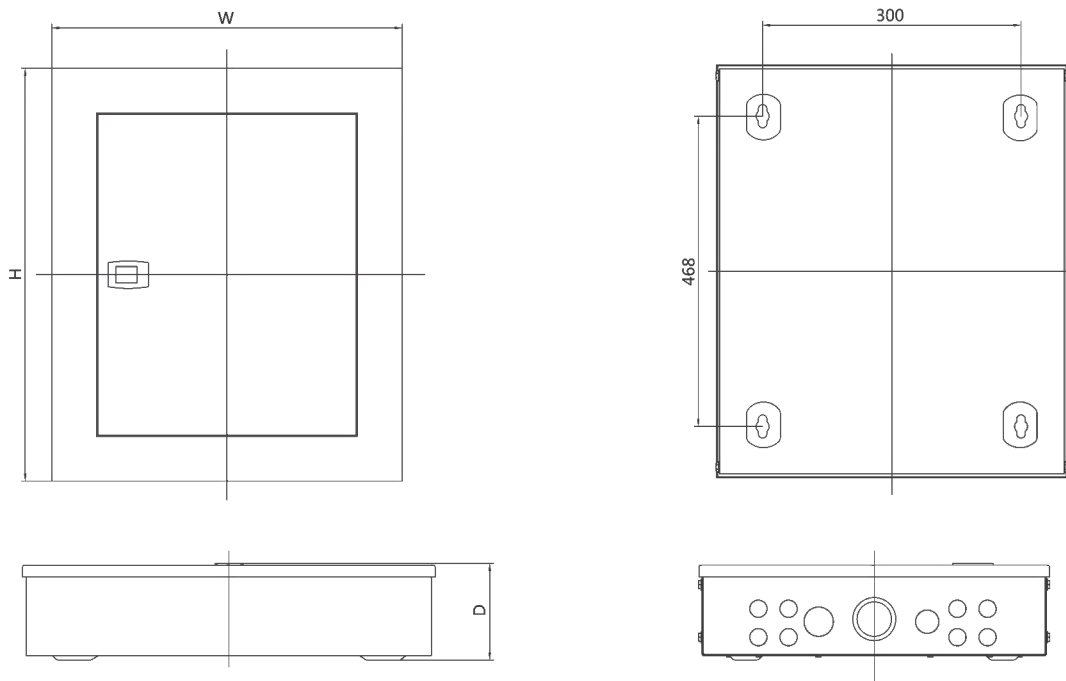
A

Specifications

Surface type model	Flush type model	No.of ways
UDB-N-TPN-4-S	UDB-N-TPN-4-F	4 ways
UDB-N-TPN-6-S	UDB-N-TPN-6-F	6 ways
UDB-N-TPN-8-S	UDB-N-TPN-8-F	8 ways
UDB-N-TPN-12-S	UDB-N-TPN-12-F	12 ways
UDB-N-TPN-16-S	UDB-N-TPN-16-F	16 ways
UDB-N-TPN-20-S	UDB-N-TPN-20-F	20 ways

Pls list main switch as Isolator or MCCB clearly when send order.

Overall and installation dimensions





**WENZHOU UP
ELECTRICAL**
www.upelectricals.com



RoHS ISO9001



UDB-N Series Distribution Box (Chassis Enclosure Type)

Application:

UDB-N series distribution box (chassis enclosure type) which provided with new construction design is used for modular equipment with adjustable distance between the 35 mm. Symmetrical profile and cover plate from 40 to 85mm. Chassis made of galvanized steel. Blank cover plate and metal frame painted with RAL-7032. Terminal blocks for earth and neutral wiring Circuit identification system supplied as standard.

Material

1. Steel sheet and copper fittings inside;
2. Paint finish: Both externally and internally;
3. Protected with epoxy polyester coating;
4. Textured finish RAL7032 or RAL7035.

Lifetime:

More than 20 years;
Our products are accord with IEC 60947-3 standard.

UDB-N Series Distribution Box (Chassis Enclosure Type) IP40

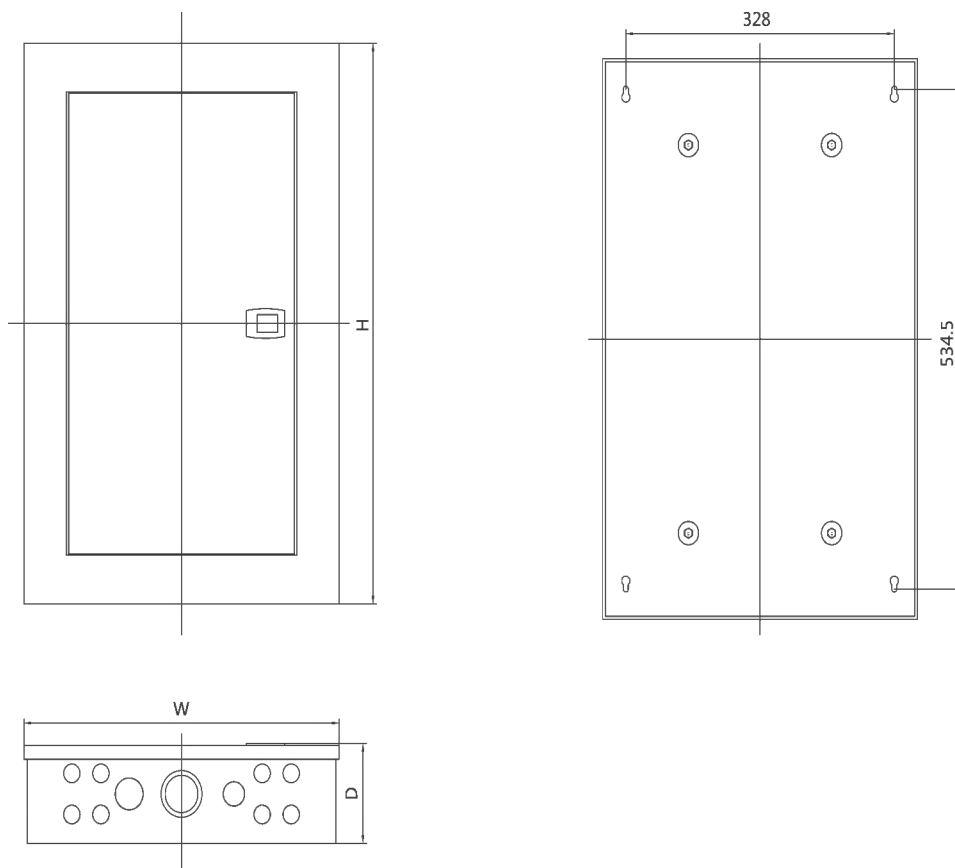
A

Specifications

Model	No.of rows	No.of ways	Dimensions(mm)		
			W	H	D
UDB-N	1	6	267	257	110
UDB-N	1	8	303	257	110
UDB-N	1	10	339	257	110
UDB-N	1	12	375	257	110
UDB-N	1	14	411	257	110
UDB-N	1	16	447	257	110
UDB-N	1	18	483	257	110
UDB-N	1	20	519	257	110
UDB-N	1	22	555	257	110

Model	No.of rows	No.of ways	Dimensions(mm)		
			W	H	D
UDB-N	2	24	440	450	115
UDB-N	2	26	458	450	115
UDB-N	2	28	476	450	115
UDB-N	2	30	494	450	115
UDB-N	3	36	440	600	115
UDB-N	3	45	494	600	115
UDB-N	3	54	548	600	115
UDB-N	3	60	584	600	115
UDB-N	3	72	656	600	115

Overall and installation dimensions



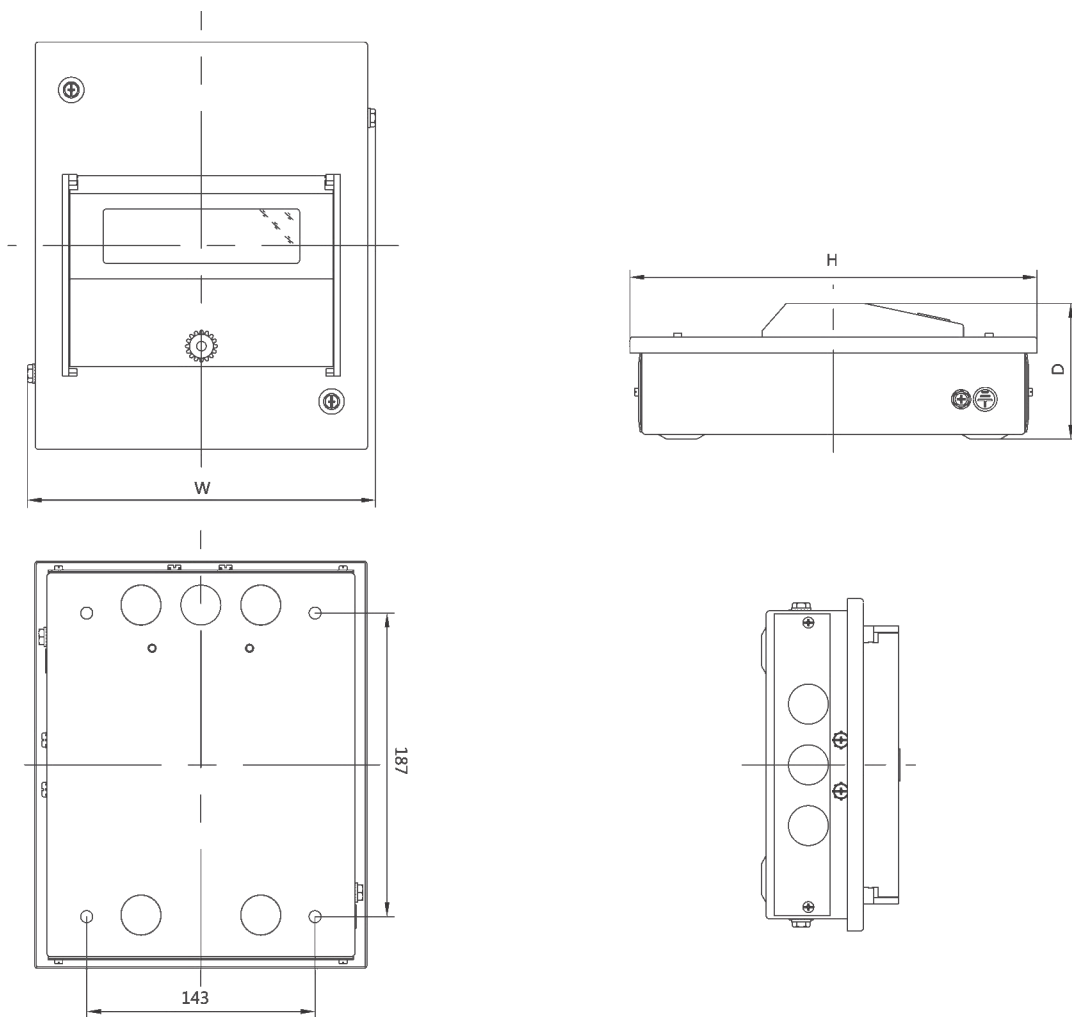
UDB-H Series 1 Phase Distribution Box (New Type) IP40



Specifications

Model	No. of ways	Dimensions(mm)		
		W	H	D
UDB-H-SPN-4	4 ways	205	252	90
UDB-H-SPN-6	6 ways	241	252	90
UDB-H-SPN-8	8 ways	277	252	90
UDB-H-SPN-12	12 ways	349	252	90

Overall and installation dimensions





WENZHOU UP
ELECTRICAL
www.upelectricals.com



RoHS ISO9001



UDB-H Series 3 Phase Distribution Box(New Type)

Product Description

The UDB-H distribution boards are available with a fixed load or split load pan assembly. They have a fully flush fitted metal door with a "slam" type catch. All boards are delivered with both Neutral and Earth bars fitted and the neutral is designed to wrap around the incoming device to ensure that extra wiring space is available for the outgoing devices.

The incoming device must be selected and fitted by the installer. The top and bottom gland plates are removable and also include knock-outs to suit standard size conduits. The pan assembly is fully shrouded and the busbars are one piece in design, this ensures that no "hot spots" can occur as there are no mechanical joints. The boards conform to BSEN 60439-1 & 3.

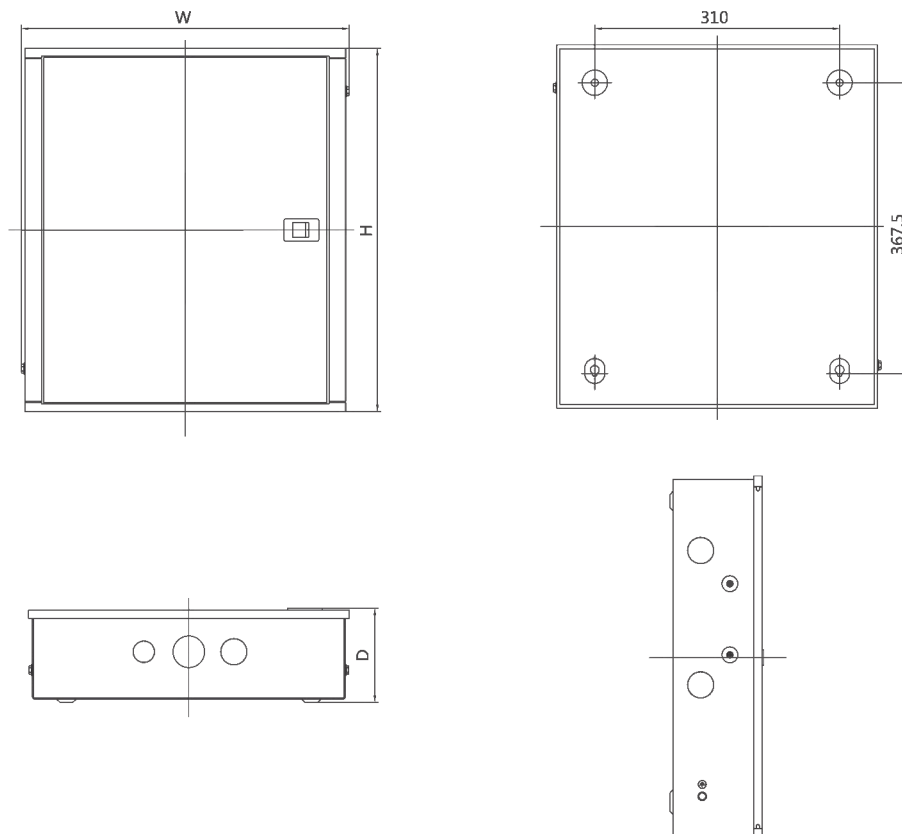
UDB-H Series 3 Phase Distribution Box(New Type) IP40



Specifications

Model	No.of ways	Dimensions(mm)		
		W	H	D
UDB-H-TPN-4	4 ways	405	451	118
UDB-H-TPN-6	6 ways	405	505	118
UDB-H-TPN-8	8 ways	405	559	118
UDB-H-TPN-12	12 ways	405	677	118

Overall and installation dimensions





WENZHOU UP
ELECTRICAL
www.upelectricals.com



RoHS ISO9001



UDB-H Series 1 Phase Distribution Box (Old Type)

Application:

UDB-H series 1 phase distribution box is available in plug in , din rail designs for indoor and outdoor applications and also available with main switch MCB, Isolator MCCB or MCB.

Material

1. Steel sheet and copper fittings inside;
2. Paint finish: Both externally and internally;
3. Protected with epoxy polyester coating;
4. Textured finish RAL7032 or RAL7035.

Lifetime:

More than 20 years;
Our products are accord with IEC 60947-3 standard.

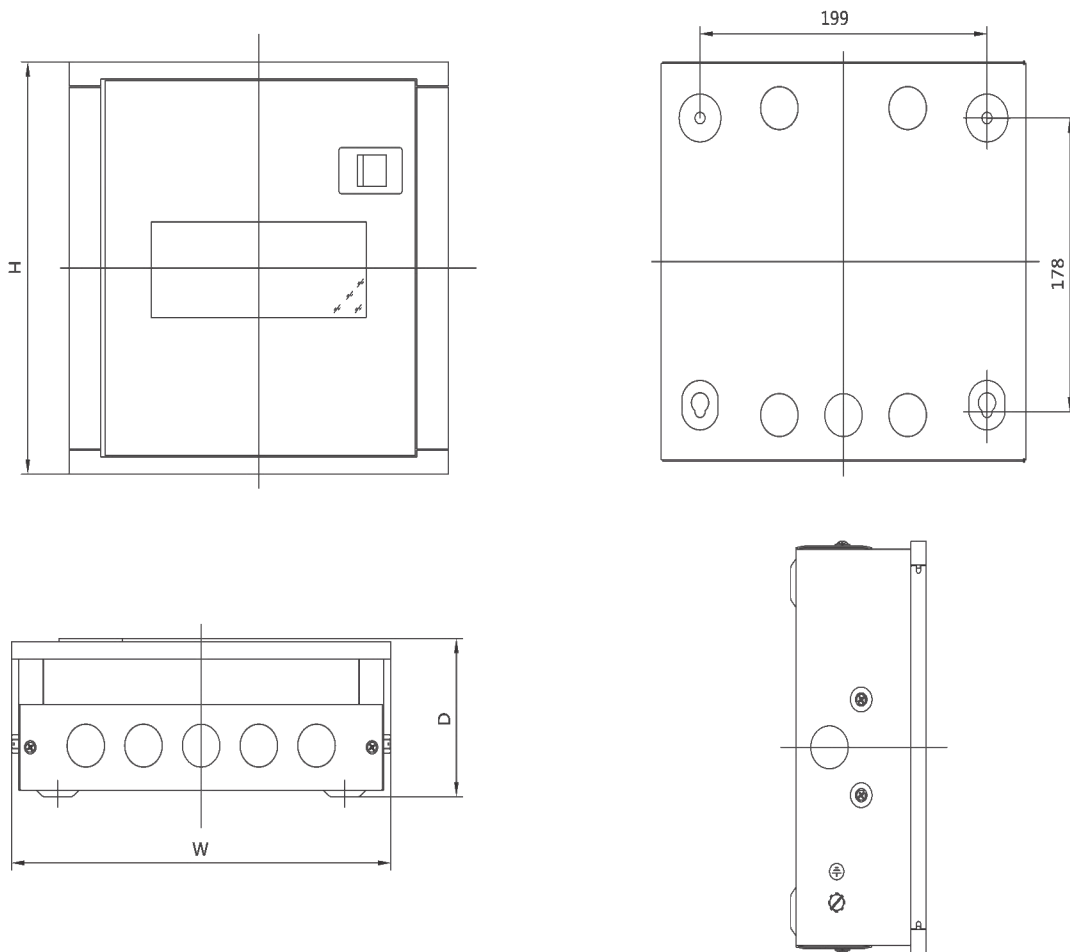
UDB-H Series 1 Phase Distribution Box (Old Type) IP40



Specifications

Model	No.of ways	Dimensions(mm)		
		W	H	D
UDB-H-SPN-4	4 ways	214	238	85
UDB-H-SPN-6	6 ways	250	238	85
UDB-H-SPN-8	8 ways	286	238	85
UDB-H-SPN-12	12 ways	358	238	85
UDB-H-SPN-14	14 ways	394	238	85

Overall and installation dimensions





WENZHOU UP
ELECTRICAL
www.upelectricals.com



RoHS ISO9001



UDB-H Series 3 Phase Distribution Box (Old Type)

Product Description

The UDB-H distribution boards are available with a fixed load or split load pan assembly. They have a fully flush fitted metal door with a "slam" type catch. All boards are delivered with both Neutral and Earth bars fitted and the neutral is designed to wrap around the incoming device to ensure that extra wiring space is available for the outgoing devices.

The incoming device must be selected and fitted by the installer. The top and bottom gland plates are removable and also include knock-outs to suit standard size conduits. The pan assembly is fully shrouded and the busbars are one piece in design, this ensures that no "hot spots" can occur as there are no mechanical joints. The boards conform to BSEN 60439-1 & 3.

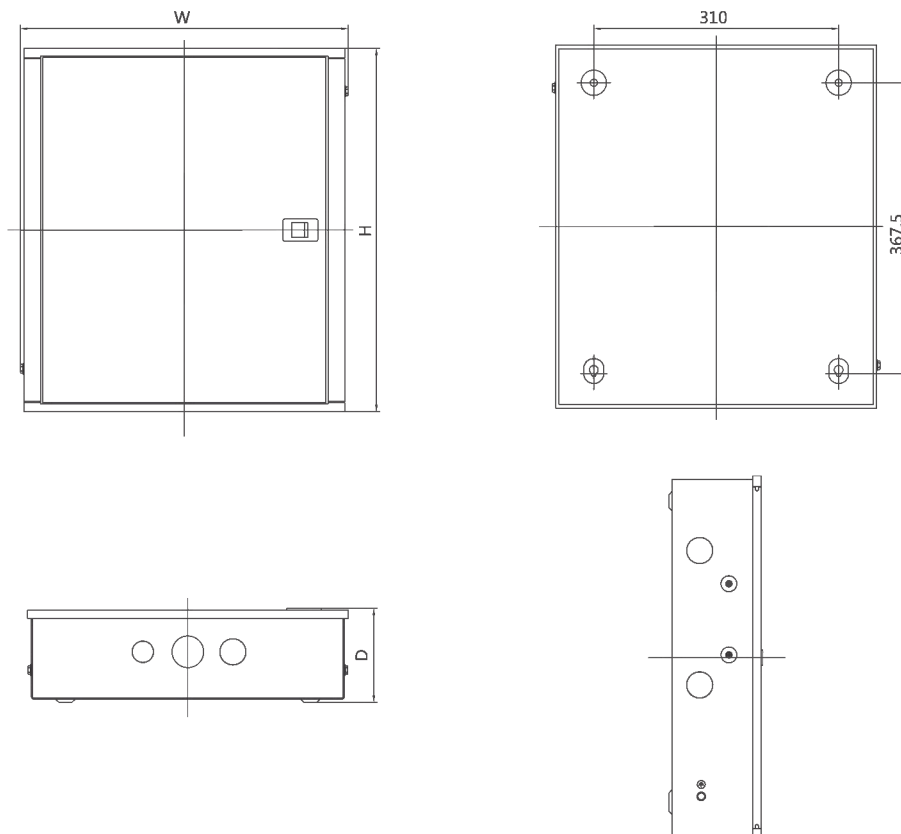
UDB-H Series 3 Phase Distribution Box (Old Type) IP40



Specifications

Model	No.of ways	Dimensions(mm)		
		W	H	D
UDB-H-TPN-4	4 ways	405	451	118
UDB-H-TPN-6	6 ways	405	505	118
UDB-H-TPN-8	8 ways	405	559	118
UDB-H-TPN-12	12 ways	405	677	118

Overall and installation dimensions





**WENZHOU UP
ELECTRICAL**
www.upelectricals.com



RoHS ISO9001



UDB-M Series 1 Phase Distribution Box

Application:

UDB-M series 1 phase distribution box is used in private, commercial and industrial installations, for distribution of power to final sub-circuits, such as lighting circuits and small rated power circuits.

Material

1. Steel sheet and copper fittings inside;
2. Paint finish: Both externally and internally;
3. Protected with epoxy polyester coating;
4. Textured finish RAL7032 or RAL7035.

Lifetime:

More than 20 years;
Our products are accord with IEC 60947-3 standard.

UDB-M Series 1 Phase Distribution Box (IP40)

A

Specifications

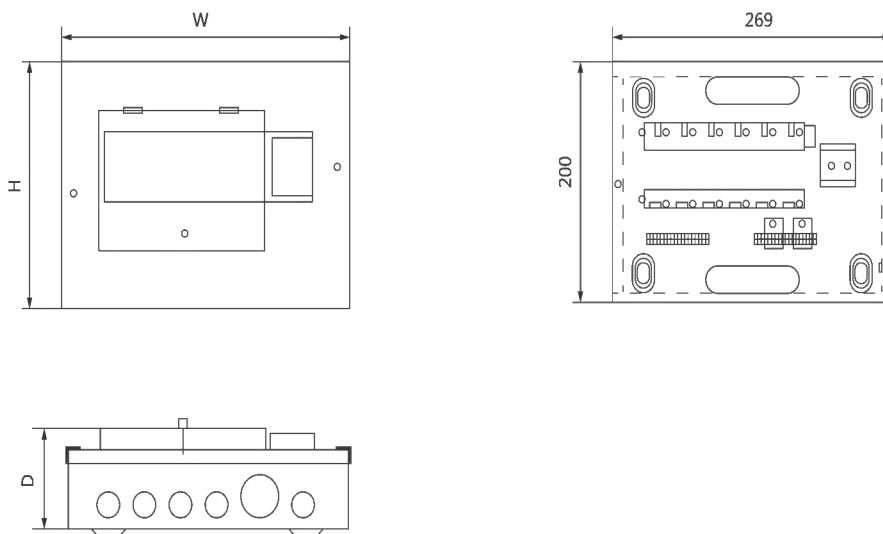
For Surface Mounting

Model	No.of ways	Dimensions(mm)		
		W	H	D
UDB-M-SPN-4-S	4 ways	228	208	95
UDB-M-SPN-6-S	6 ways	278	208	95
UDB-M-SPN-8-S	8 ways	328	208	95
UDB-M-SPN-12-S	12 ways	428	208	95

For Flush Mounting

Model	No.of ways	Dimensions(mm)		
		W	H	D
UDB-M-SPN-4-F	4 ways	241	221	95
UDB-M-SPN-6-F	6 ways	291	221	95
UDB-M-SPN-8-F	8 ways	341	221	95
UDB-M-SPN-12-F	12 ways	441	221	95

Overall and installation dimensions





WENZHOU UP
ELECTRICAL
www.upelectricals.com



RoHS ISO9001



UDB-M Series 3 Phase Distribution Box

Application:

UDB-M series 3 phase distribution box is applied to the terminal protection distribution board. the main switch is 100A-3P isolating switch. the branch switch is miniature circuit breaker.

Material

1. Steel sheet and copper fittings inside;
2. Paint finish: Both externally and internally;
3. Protected with epoxy polyester coating;
4. Textured finish RAL7032 or RAL7035.

Lifetime:

More than 20 years;
Our products are accord with IEC 60947-3 standard.

UDB-M Series 3 Phase Distribution Box (IP40)

Specifications

For Surface Mounting

Model	No.of ways	Dimensions(mm)		
		W	H	D
UDB-M-TPN-4-S	4 ways	370	475	115
UDB-M-TPN-6-S	6 ways	370	550	115
UDB-M-TPN-8-S	8 ways	370	625	115
UDB-M-TPN-12-S	12 ways	370	775	115

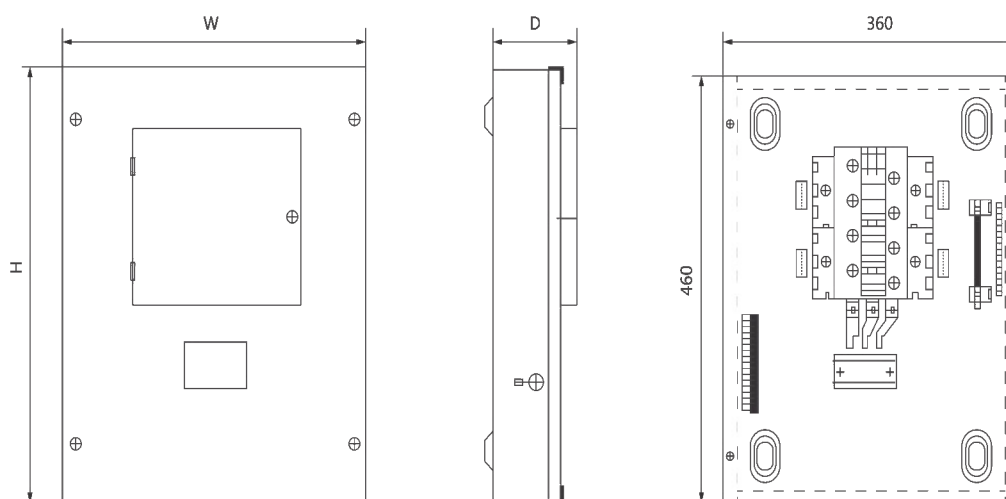
Three phase, Standard Consumer Unit-100Amp main DP Switch/DP RCD

For Flush Mounting

Model	No.of ways	Dimensions(mm)		
		W	H	D
UDB-M-TPN-4-F	4 ways	395	500	115
UDB-M-TPN-6-F	6 ways	395	575	115
UDB-M-TPN-8-F	8 ways	395	650	115
UDB-M-TPN-12-F	12 ways	395	800	115

Three phase, Standard Consumer Unit-100Amp main DP Switch/DP RCD

Overall and installation dimensions





**WENZHOU UP
ELECTRICAL**
www.upelectricals.com



RoHS ISO9001



UDB-T Series 3 Phase Distribution Box

Application:

UDB-T series 3 phase distribution box is designed for safe, reliable distribution and control of electrical power as service entrance equipment in residential, commercial and light industrial installations. They are available in plug in, din rail designs for indoor and outdoor applications and also available with main as MCB, isolator MCCB or MCB.

Material

1. Steel sheet and copper fittings inside;
2. Paint finish: Both externally and internally;
3. Protected with epoxy polyester coating;
4. Textured finish RAL7032 or RAL7035.

Lifetime:

More than 20 years;
Our products are accord with IEC 60947-3 standard.

UDB-T Series 3 Phase Distribution Box (IP40)

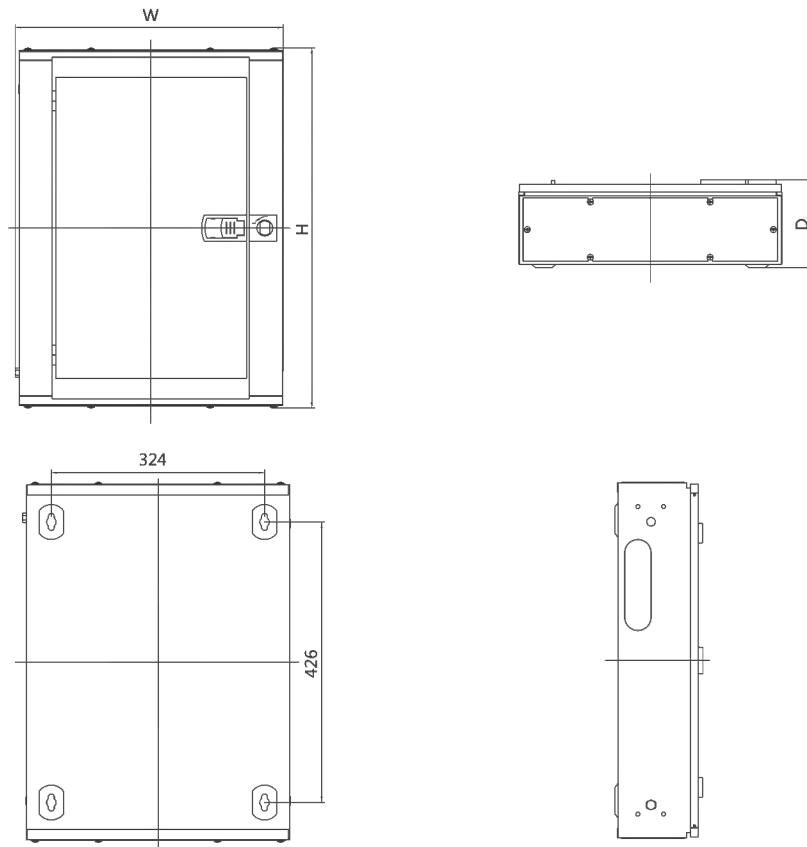
A

Specifications

Model	No.of ways	Dimensions(mm)		
		W	H	D
UDB-T-TPN-4-S	4 ways	400	496	130
UDB-T-TPN-6-S	6 ways	400	550	130
UDB-T-TPN-8-S	8 ways	400	604	130
UDB-T-TPN-12-S	12 ways	400	712	130

Pls list main switch as Isolator or MCCB clearly when send order.

Overall and installation dimensions





WENZHOU UP
ELECTRICAL
www.upelectricals.com



RoHS ISO9001



UDB-E Series 1 Phase Distribution Box

Application:

UDB-E Series 1 Phase Distribution Box is designed for safe, reliable distribution and control of electrical power as service entrance equipment in residential, commercial and light industrial installations. They are available in plug in, din rail designs for indoor and outdoor applications and also available with main as MCB, isolator MCCB or MCB.

Material

1. Steel sheet and copper fittings inside;
2. Paint finish: Both externally and internally;
3. Protected with epoxy polyester coating;
4. Textured finish RAL7032 or RAL7035.

Lifetime:

More than 20 years;
Our products are accord with IEC 60947-3 standard.

UDB-E Series 1 Phase Distribution Box (IP40)

Product Summarize

MDB-E series new distribution box which can be individed into flush and surface installation, apply to the circuit of single phase 3 lines or three phase 5 lines of AC50Hz, 220V / 380V, 100A or below, and as one of electric set to control and protect the overload, short circuit, over voltage and leakage of electric equipment. it can be widely used in the family, high building, house, station, port, airport, commercial house, hospital, cinema, enterprises and so on occassions. The installation is very simple and the appreance is good.

Specifications

For Flush Mounting

Model	No.of ways	Dimensions(mm)				
		H	h	W	w	D
UDB-E BS 4	4 ways	273	243	280	250	95
UDB-E BS 6	6 ways	309	279	280	250	95
UDB-E BS 8	8 ways	345	315	280	250	95
UDB-E BS 10	10 ways	381	351	280	250	95
UDB-E BS 12	12 ways	417	387	280	250	95
UDB-E BS 14	14 ways	453	423	280	250	95
UDB-E BS 16	16 ways	489	459	280	250	95

Single-phase With MCB Main Swith,100A Max

For Surface Mounting

Model	No.of ways	Dimensions(mm)				
		H	h	W	w	D
UDB-E BS 4	4 ways	248	243	255	250	95
UDB-E BS 6	6 ways	284	279	255	250	95
UDB-E BS 8	8 ways	320	315	255	250	95
UDB-E BS 10	10 ways	356	351	255	250	95
UDB-E BS 12	12 ways	392	387	255	250	95
UDB-E BS 14	14 ways	428	423	255	250	95
UDB-E BS 16	16 ways	464	459	255	250	95

Single-phase With MCB Main Swith,100A Max

A



WENZHOU UP
ELECTRICAL
www.upelectricals.com



RoHS ISO9001



UDB-E Series 3 Phase Distribution Box

Application:

UDB-E Series 3 Phase Distribution Box is designed for safe, reliable distribution and control of electrical power as service entrance equipment in residential, commercial and light industrial installations. They are available in plug in, din rail designs for indoor and outdoor applications and also available with main as MCB, isolator MCCB or MCB.

Material

1. Steel sheet and copper fittings inside;
2. Paint finish: Both externally and internally;
3. Protected with epoxy polyester coating;
4. Textured finish RAL7032 or RAL7035.

Lifetime:

More than 20 years;
Our products are accord with IEC 60947-3 standard.

UDB-E Series 3 Phase Distribution Box (IP40)



Specifications

Three-phase with Isolator main Switch, 100A Max

Model	Flush					Surface					No.of ways
	H	h	W	w	D	H	h	W	w	D	
UDB-E BTN4MCCB	582	550	407	375	105	582	550	407	375	105	12 ways
UDB-E BTN6MCCB	637	605	407	375	105	637	605	407	375	105	18 ways
UDB-E BTN8MCCB	692	660	407	375	105	692	660	407	375	105	24 ways
UDB-E BTN10MCCB	747	715	407	375	105	747	715	407	375	105	30 ways
UDB-E BTN12MCCB	802	770	407	375	105	802	770	407	375	105	36 ways
UDB-E BTN14MCCB	857	825	407	375	105	857	825	407	375	105	42 ways

Three-phase with MCCB main Switch, 100A Max

Model	Flush					Surface					No.of ways
	H	h	W	w	D	H	h	W	w	D	
UDB-E BTN41MCCB	582	550	407	375	105	582	550	407	375	105	12 ways
UDB-E BTN61MCCB	637	605	407	375	105	637	605	407	375	105	18 ways
UDB-E BTN81MCCB	692	660	407	375	105	692	660	407	375	105	24 ways
UDB-E BTN101MCCB	747	715	407	375	105	747	715	407	375	105	30 ways
UDB-E BTN121MCCB	802	770	407	375	105	802	770	407	375	105	36 ways
UDB-E BTN141MCCB	857	825	407	375	105	857	825	407	375	105	42 ways

Three-phase with MCCB main Switch, 250A Max

Model	Flush					Surface					No.of ways
	H	h	W	w	D	H	h	W	w	D	
UDB-E BTN42MCCB	692	660	407	375	105	692	660	407	375	105	12 ways
UDB-E BTN62MCCB	747	715	407	375	105	747	715	407	375	105	18 ways
UDB-E BTN82MCCB	802	770	407	375	105	802	770	407	375	105	24 ways
UDB-E BTN102MCCB	857	825	407	375	105	857	825	407	375	105	30 ways
UDB-E BTN122MCCB	912	880	407	375	105	912	880	407	375	105	36 ways
UDB-E BTN142MCCB	967	935	407	375	105	967	935	407	375	105	42 ways



WENZHOU UP
ELECTRICAL
www.upelectricals.com



RoHS ISO9001



UDB-C Series 1 Phase Distribution Box

Application:

UDB-C series 1 phase distribution box is applied to the terminal protection distribution board. The distribution box is made of high quality galvanized steel sheet of up to 0.6-1.2mm thickness.

Material

1. Steel sheet and copper fittings inside;
2. Paint finish: Both externally and internally;
3. Protected with epoxy polyester coating;
4. Textured finish RAL7032 or RAL7035.

Lifetime:

More than 20 years;
Our products are accord with IEC 60947-3 standard.

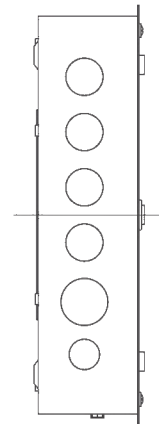
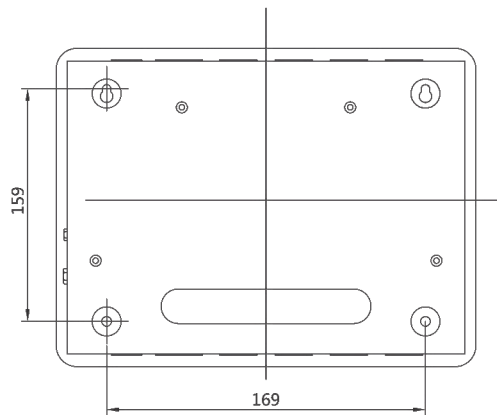
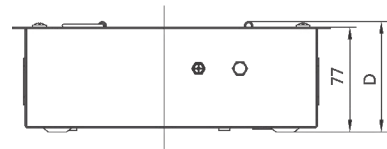
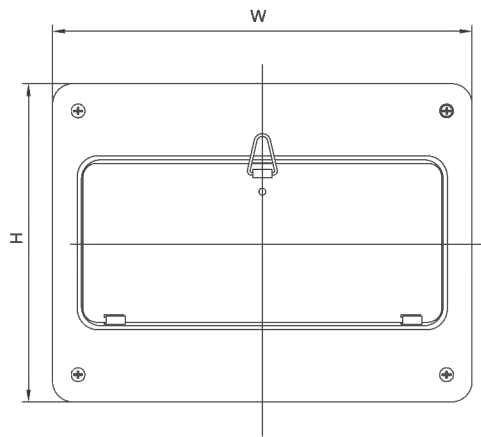
UDB-C Series 1 Phase Distribution Box (IP40)

A

Specifications

Surface type model	Flush type model	No.of ways
UDB-C-SPN-4-S	UDB-C-SPN-4-F	4 ways
UDB-C-SPN-6-S	UDB-C-SPN-6-F	6 ways
UDB-C-SPN-9-S	UDB-C-SPN-9-F	9 ways
UDB-C-SPN-12-S	UDB-C-SPN-12-F	12 ways

Overall and installation dimensions



UDB-G Series Distribution Box (IP40)

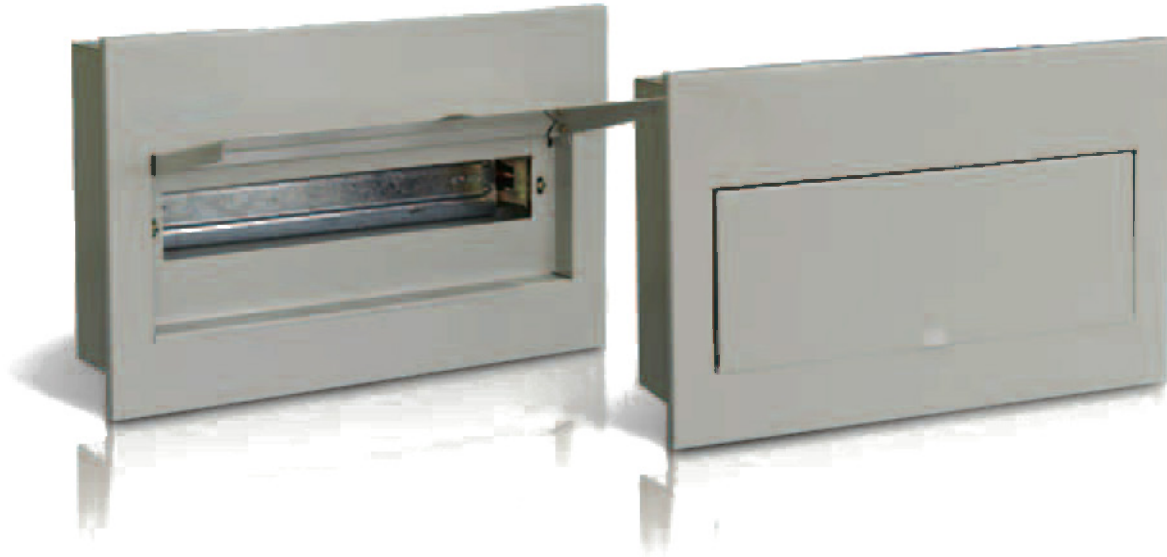
A



Specifications

Model	No.of ways	No.of rows	Dimensions(mm)		
			W	H	D
13 mod					
UDB-G-13 S	13 ways	1 row	355	275	110
UDB-G-26 S	26 ways	2 rows	355	380	110
UDB-G-39 S	39 ways	3 rows	355	530	110
UDB-G-52 S	52 ways	4 rows	355	680	110
UDB-G-65 S	65 ways	5 rows	355	830	110
18 mod					
UDB-G-18 S	18 ways	1 row	475	275	110
UDB-G-36 S	36 ways	2 rows	475	380	110
UDB-G-54 S	54 ways	3 rows	475	530	110
UDB-G-72 S	72 ways	4 rows	475	680	110
UDB-G-90 S	90 ways	5 rows	475	830	110

UDB-AB Series Distribution Box (IP40)



A

Specifications

Model	Size of surface type(mm)			Size of flush type(mm)		
	W	H	D	W	H	D
AB- 8 ways	248	250	85	218	220	85
AB- 10 ways	284	250	85	254	220	85
AB- 12 ways	320	250	85	290	220	85
AB- 15 ways	372	250	85	342	220	85
AB- 16 ways	390	250	85	360	220	85
AB- 18 ways	426	250	85	396	220	85
AB- 20 ways	465	250	85	435	220	85
AB- 24 ways	320	440	85	290	410	85
AB- 32 ways	390	440	85	360	410	85
AB- 36 ways	426	440	85	396	410	85
AB- 40 ways	465	440	85	435	410	85
AB- 48 ways	390	620	85	360	590	85
AB- 60 ways	465	620	85	435	590	85

UDB-D Series Distribution Box (IP40)

A



Product Summarize

UDB-D series new distribution box which can be individed into flush and surface installation, apply to the circuit of single phase 3 lines or three phase 5 lines of AC50Hz, 220V/380V, 100A or below, and as one of electric set to control and protect the overload, short circuit, over voltage and leakage of electric equipment. it can be widely used in the family, high building, house, station, port, airport, commercial house, hospital, cinema, enterprises and so on occasions. The installation is very simple and the apparence is good.

Specifications

Model	Size of surface type(mm)			Size of flush type(mm)		
	W	H	D	W	H	D
UDB-D 8 ways	250	250	85	230	230	85
UDB-D 12 ways	320	250	85	303	230	85
UDB-D 16 ways	390	250	85	375	230	85
UDB-D 20 ways	460	250	85	447	230	85