

UDB-I Series Distribution Box (IP40)



B

Product Summarize

UDB-I series new distribution box which can be invidied into flush and surface installation, apply to the circuit of single phase 3 lines or three phase 5 lines of AC50Hz, 220V/380V, 100A or below, and as one of electric set to control and protect the overload, short circuit, over voltage and leakage of electric equipment. it can be widely used in the family, high building, house, station, port, airport, commercial house, hospital, cinema, enterprises and so on occassions. The installation is very simple and the apparence is good.

Specifications

Model	Dimensions(mm)		
	W	H	D
UDB-I 5-7 ways	210	190	75
UDB-I 8-10 ways	268	190	75
UDB-I 11-14 ways	338	190	75
UDB-I 15-17 ways	393	190	75
UDB-I 18-20 ways	448	190	75
UDB-I 22-28 ways	338	400	75
UDB-I 30-34 ways	393	400	75

UDB-J Series Distribution Box (IP40)



Product Summarize

UDB-J series new distribution box which can be invidied into flush and surface installation, apply to the circuit of single phase 3 lines or three phase 5 lines of AC50Hz, 220V/380V, 100A or below, and as one of electric set to control and protect the overload, short circuit, over voltage and leakage of electric equipment. it can be widely used in the family, high building, house, station, port, airport, commercial house, hospital, cinema, enterprises and so on occassions. The installation is very simple and the apparence is good.

Specifications

Model	Dimensions(mm)		
	W	H	D
UDB-J 4 ways	192	182	85
UDB-J 6 ways	210	182	85
UDB-J 8 ways	228	182	85

UDB-K Series Distribution Box(IP40)

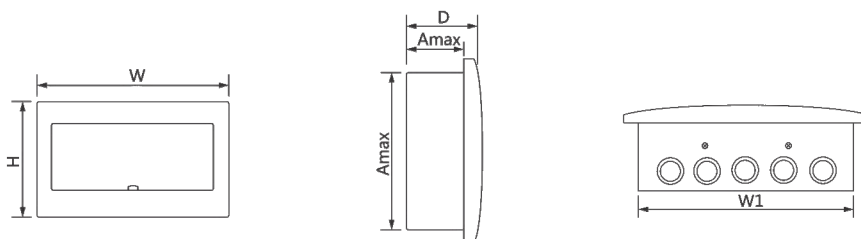


B

Specifications

Model	No.of ways	Dimension(mm)		
		W	H	D
UDB-K	4 ways	160	230	90
UDB-K	6 ways	195	230	90
UDB-K	9 ways	250	230	90
UDB-K	13 ways	320	230	90
UDB-K	15 ways	360	230	90
UDB-K	18 ways	410	230	90

Overall and installation dimensions



UDB-L Series Distribution Box (IP40)

B



Product Summarize

UDB-L series new distribution box which can be invidied into flush and surface installation, apply to the circuit of single phase 3 lines or three phase 5 lines of AC50Hz, 220V/380V, 100A or below, and as one of electric set to control and protect the overload, short circuit, over voltage and leakage of electric equipment. it can be widely used in the family, high building, house, station, port, airport, commercial house, hospital, cinema, enterprises and so on occasions. The installation is very simple and the appreance is good.

Specifications

Model	Size of surface type(mm)			Size of flush type(mm)		
	W	H	D	W	H	D
UDB-L 5 ways	180	220	80	160	200	80
UDB-L 10 ways	270	220	80	250	200	80
UDB-L 15 ways	360	220	80	340	200	80
UDB-L 20 ways	450	220	80	430	200	80

UDB-P Series Distribution Box (IP40)



B

Product Summarize

UDB-P series new distribution box which can be individed into flush and surface installation, apply to the circuit of single phase 3 lines or three phase 5 lines of AC50Hz, 220V/380V, 100A or below, and as one of electric set to control and protect the overload, short circuit, over voltage and leakage of electric equipment. it can be widely used in the family, high building, house, station, port, airport, commercial house, hospital, cinema, enterprises and so on occasions. The installation is very simple and the apparence is good.

Specifications

Model	Size of surface type(mm)			Size of flush type(mm)		
	W	H	D	W	H	D
UDB-P 8 ways	239	223	85	225	205	85
UDB-P 12 ways	312	223	85	298	205	85
UDB-P 16 ways	385	223	85	371	205	85
UDB-P 20 ways	459	223	85	444	205	85
UDB-P 24 ways	312	378	85	298	360	85
UDB-P 32 ways	385	378	85	371	360	85

UDB-Q Series Distribution Box (IP40)

B



Product Summarize

UDB-Q series new distribution box which can be invidied into flush and surface installation, apply to the circuit of single phase 3 lines or three phase 5 lines of AC50Hz, 220V/380V, 100A or below, and as one of electric set to control and protect the overload, short circuit, over voltage and leakage of electric equipment. it can be widely used in the family, high building, house, station, port, airport, commercial house, hospital, cinema, enterprises and so on occassions. The installation is very simple and the appreance is good.

Specifications

Model	Size of surface type(mm)			Size of flush type(mm)		
	W	H	D	W	H	D
UDB-Q 4 ways	139	160	80	120	141	80
UDB-Q 6 ways	200	210	80	175	180	80
UDB-Q 9 ways	254	210	80	230	180	80
UDB-Q 13 ways	326	210	80	300	180	80
UDB-Q 18 ways	416	210	80	390	180	80

UDB-NTSM Series Distribution Box (IP40)



Product Summarize

UDB-NTSM series new distribution box which can be divided into flush and surface installation, apply to the circuit of single phase 3 lines or three phase 5 lines of AC50Hz, 220V/380V, 100A or below, and as one of electric set to control and protect the overload, short circuit, over voltage and leakage of electric equipment. it can be widely used in the family, high building, house, station, port, airport, commercial house, hospital, cinema, enterprises and so on occasions. The installation is very simple and the appearance is good.

Specifications

Model	Dimensions (mm)		
	W	H	D
NTSM-6 ways	195	225	90
NTSM-8 ways	230	225	90
NTSM-12 ways	300	225	90
NTSM-15 ways	355	225	90
NTSM-18 ways	410	225	100
NTSM-24 ways	300	345	100

UDB-VC Series Distribution Box (IP40)



Product Summarize

UDB-VC series new distribution box which can be invidded into flush and surface installation, apply to the circuit of single phase 3 lines or three phase 5 lines of AC50Hz, 220V/380V, 100A or below, and as one of electric set to control and protect the overload, short circuit, over voltage and leakage of electric equipment. it can be widely used in the family, high building, house, station, port, airport, commercial house, hospital, cinema, enterprises and so on occassions. The installation is very simple and the appreance is good.

Specifications

Model	No.of ways	Dimensions(mm)		
		W	H	D
UDB-VC-10	10 ways	277	252	100
UDB-VC-13	13 ways	330	252	100
UDB-VC-16	16 ways	383	252	100
UDB-VC-20	20 ways	453	252	100

UDB-TL Series Distribution Box (IP40)



B

Product Summarize

UDB-TL series new distribution box which can be invidied into flush and surface installation, apply to the circuit of single phase 3 lines or three phase 5 lines of AC50Hz, 220V/380V, 100A or below, and as one of electric set to control and protect the overload, short circuit, over voltage and leakage of electric equipment. it can be widely used in the family, high building, house, station, port, airport, commercial house, hospital, cinema, enterprises and so on occassions. The installation is very simple and the apparence is good.

Specifications

Model	Size of surface type(mm)			Size of flush type(mm)		
	W	H	D	W	H	D
UDB-TL-8 ways	243	243	85	225	220	85
UDB-TL-12 ways	310	243	85	292	220	85
UDB-TL-16 ways	383	243	85	364	220	85
UDB-TL-20 ways	455	243	85	437	220	85
UDB-TL-24 ways	310	392	85	292	376	85
UDB-TL-32 ways	383	494	85	364	471	85
UDB-TL-40 ways	455	494	85	437	471	85
UDB-TL-48 ways	383	745	85	364	722	85

UDB-TY Series Distribution Box (IP40)



Product Summarize

UDB-TY series new distribution box which can be invidied into flush and surface installation, apply to the circuit of single phase 3 lines or three phase 5 lines of AC50Hz, 220V/380V, 100A or below, and as one of electric set to control and protect the overload, short circuit, over voltage and leakage of electric equipment. it can be widely used in the family, high building, house, station, port, airport, commercial house, hospital, cinema, enterprises and so on occassions. The installation is very simple and the appreance is good.

Specifications

Model	Dimensions(mm)		
	W	H	D
TY- 8 ways	260	225	105
TY- 12 ways	328	255	105
TY- 16 ways	396	255	105
TY- 20 ways	464	255	105
TY- 24 ways	328	385	105
TY- 32 ways	396	385	105
TY- 36 ways	430	385	105
TY- 40 ways	464	385	105
TY- 48 ways	396	535	105

UDB-PZ40 Series Meter Box (IP40)



B

Product Summarize

UDB-PZ40 series new distribution box which can be invidded into flush and surface installation, apply to the circuit of single phase 3 lines or three phase 5 lines of AC50Hz, 220V/380V, 100A or below, and as one of electric set to control and protect the overload, short circuit, over voltage and leakage of electric equipment. it can be widely used in the family, high building, house, station, port, airport, commercial house, hospital, cinema, enterprises and so on occassions. The installation is very simple and the apparence is good.

Specifications

Model	Dimensions(mm)		
	W	H	D
1 House	250	400	140
2 Houses	350	400	140
3 Houses	460	400	140
4 Houses	580	400	140

UDB-R Series Multi-Media Information Box (IP40)



Specifications

Multi-media Information Box

Model	No.of module	Dimensions(mm)		
		W	H	D
UDB-R 10 SX	4u	200	200	100
UDB-R 10 MX	7u	300	200	100
UDB-R 10 LX	9u	300	250	100

Home Multi-media Box

Model	No.of module	Dimensions(mm)		
		W	H	D
UDB-R 20 SX	7u	300	200	100
UDB-R 20 MX	9u	300	250	100
UDB-R 20 LX	14u	400	300	100

UDB-HPK Series Distribution Box (IP40)



Product Summarize

UDB-HPK series new distribution box which can be invidied into flush and surface installation, apply to the circuit of single phase 3 lines or three phase 5 lines of AC50Hz, 220V/380V, 100A or below, and as one of electric set to control and protect the overload, short circuit, over voltage and leakage of electric equipment. it can be widely used in the family, high building, house, station, port, airport, commercial house, hospital, cinema, enterprises and so on occasions. The installation is very simple and the apparence is good.

Specifications

Model	Dimensions(mm)		
	W	H	D
HPK- 5 ways	105	135	72
HPK- 7 ways	158	155	72
HPK- 10 ways	223	155	72
HPK- 12 ways	262	172	72
HPK- 15 ways	310	172	72
HPK- 18 ways	355	172	72

UDB-F Series Distribution Box (IP40)



Product Summarize

UDB-F series new distribution box which can be divided into flush and surface installation, apply to the circuit of single phase 3 lines or three phase 5 lines of AC50Hz, 220V/380V, 100A or below, and as one of electric set to control and protect the overload, short circuit, over voltage and leakage of electric equipment. it can be widely used in the family, high building, house, station, port, airport, commercial house, hospital, cinema, enterprises and so on occasions. The installation is very simple and the appearance is good.

Specifications

Model	Dimensions(mm)		
	W	H	D
UDB-F 2 ways	90	150	85
UDB-F 3 ways	115	150	85
UDB-F 5 ways	145	150	85
UDB-F 7 ways	180	170	85
UDB-F 10 ways	235	170	85
UDB-F 12 ways	270	170	85
UDB-F 18 ways	380	170	85

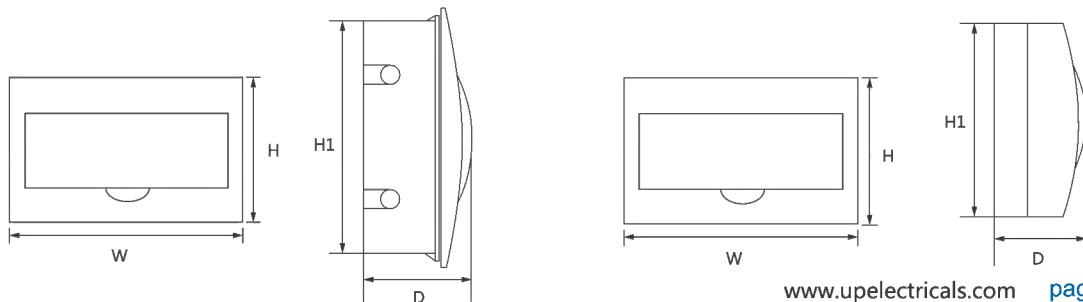
UDB-TSM Series Distribution Box (IP40)



Specifications

Model	Size of surface type(mm)			Size of flush type(mm)		
	W	H	D	W	H	D
TSM-3 ways	95	15	60	95	150	60
TSM-4 ways	112	200	95	136	221	90
TSM-6 ways	148	200	95	172	221	90
TSM-8 ways	184	200	95	208	221	90
TSM-10 ways	222	200	95	246	221	90
TSM-12 ways	256	200	95	278	221	90
TSM-15 ways	312	200	95	334	221	90
TSM-18 ways	360	220	100	398	251	100
TSM-24 ways	270	328	100	300	350	100
TSM-36 ways	270	460	100	300	482	100
TSM-45 ways	325	470	100	365	505	110

Overall and installation dimensions



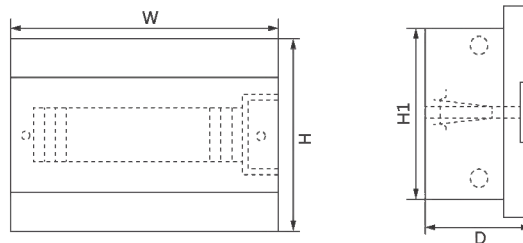
UDB-LGD Series Distribution Box (IP40)



Specifications

Model	No.of breakers(pcs)	Dimensions(mm)		
		W	H	D
LGD-3 ways	3	118	141	98
LGD-6 ways	6	195	165	96
LGD-8 ways	8	236	195	96
LGD-12 ways	12	325	217	96
LGD-18 ways	18	325	247	96
LGD-24 ways	24	328	348	96

Overall and installation dimensions



UDB-HA Series Waterproof Distribution Box(IP65)



Specifications

Model	No.of breakers(pcs)	Dimensions(mm)		
		W	H	D
HA-4 ways	4	140	210	100
HA-8 ways	8	215	210	100
HA-12 ways	12	295	260	140
HA-18 ways	18	410	285	140
HA-24 ways	24	295	420	140

- Rated Voltage/Rated Current:690V/50Hz
- Material:Cover-PC
- Body-ABS
- Color:RAL7035
- Tested And Approved To EN60947-1
- CE Certified
- Din Rail Connection According To EN 50022
- Supplied With Removable Earth/Neutral Bar

UDB-HK Series Water Proof Distribution Box (IP55)



Specifications

Model	No. of Breakers(Pcs)	Size of surface type(mm)		
		W	H	D
HK-5 ways	5	140	140	100
HK-8 ways	8	195	195	103
HK-12 ways	12	270	195	103
HK-18 ways	18	375	195	103

- Rated Voltage/Rated Current: 690V/50Hz
- Material: Cover-PC
- Body-ABS
- Color: RAL7035
- Tested And Approved To EN60947-1
- CE Certified
- Din Rail Connection According To EN 50022
- Supplied With Removable Earth/Neutral Bar

UDB-HT Series Water Proof Distribution Box (IP65)



Specifications

Model	No.of breakers(pcs)	Dimensions(mm)		
		W	H	D
HT-5 ways	5	120	160	90
HT-8 ways	8	200	155	93
HT-12 ways	12	253	197	108
HT-15 ways	15	300	200	108
HT-18 ways	18	365	198	108
HT-24 ways	24	275	355	108

- Rated Voltage/Rated Current:690V/50Hz
- Material:Cover-PC
- Body-ABS
- Color:RAL7035
- Tested And Approved To EN60947-1
- CE Certified
- Din Rail Connection According To EN 50022
- Supplied With Removable Earth/Neutral Bar

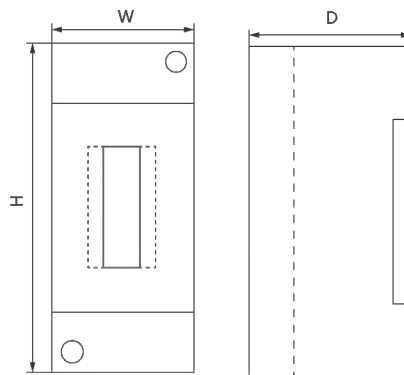
UDB-HAG II Series Distribution Box



Specifications

Model	No.of ways	Dimensions(mm)		
		W	H	D
HAG II-1	1 way	34	130	60
HAG II-2	2 ways	52	130	60
HAG II-4	4 ways	87	130	60
HAG II-6	6 ways	125	160	60
HAG II-8	8 ways	160	160	60

Overall and installation dimensions



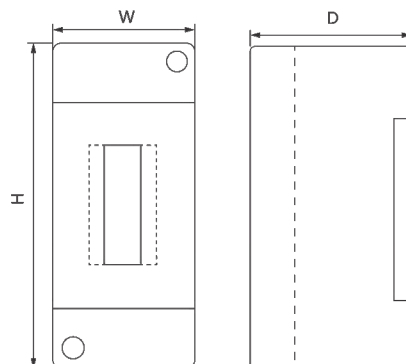
UDB-HAG III Series Distribution Box



Specifications

Model	No.of ways	Dimensions(mm)		
		W	H	D
HAG III -2	2 ways	45	130	80
HAG III -4	4 ways	90	130	80
HAG III -6	6 ways	135	130	80
HAG III -8	8 ways	180	130	80
HAG III -12	12 ways	270	130	80
HAG III -18	18 ways	405	130	80
HAG III -24	24 ways	290	250	95

Overall and installation dimensions



UDB-GY Series Distribution Box



Product Summarize

UDB-GY series new distribution box which can be invidued into flush and surface installation, apply to the circuit of single phase 3 lines or three phase 5 lines of AC50Hz, 220V/380V, 100A or below, and as one of electric set to control and protect the overload, short circuit, over voltage and leakage of electric equipment. it can be widely used in the family, high building, house, station, port, airport, commercial house, hospital, cinema, enterprises and so on occassions. The installation is very simple and the apparence is good.

Specifications

Model	Dimensions(mm)		
	W	H	D
GY-2 ways	70	115	70
GY-4 ways	110	115	70
GY-6 ways	163	135	70
GY-10 ways	217	140	70

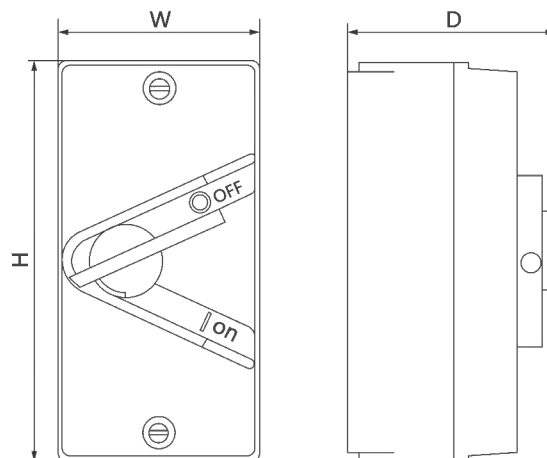
WP Series Waterproof Isolating Switches(IP56)



Specifications

Electric current		20			35			63		
Phases		1	2	3	1	2	3	1	2	3
Size	H	166	166	166	166	166	166	166	166	166
	W	83	83	83	83	83	83	83	83	83
	D	86	86	86	86	86	86	86	86	86

Overall and installation dimensions



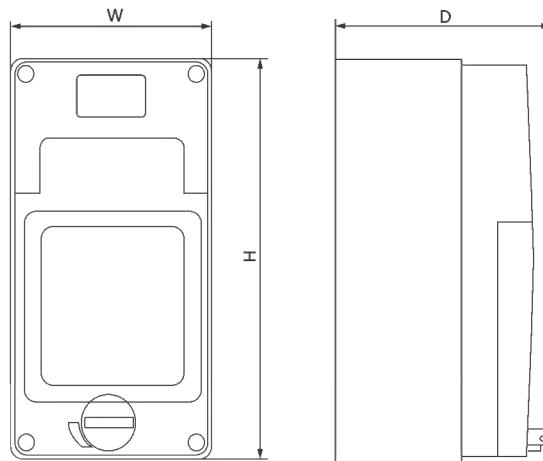
56CB-4N Series Switch Box(IP66)



Specifications

Series	56CB-4N								
Phases	1P	2P	3P	4P					
Rated Voltage(V)	240/415								
Rated Current(A)	6	10	16	20	25	32	40	50	63

Overall and installation dimensions



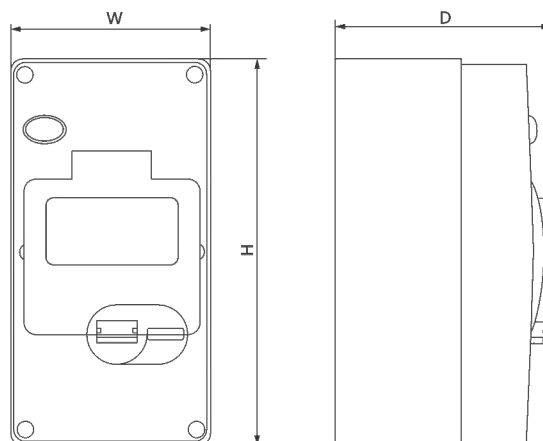
56CB1-4N Series Switch Box(IP66)



Specifications

Series	56CB1-4N									
Phases	1P	2P	3P	4P						
Rated Voltage(V)	240/415									
Rated Current(A)	6	10	16	20	25	32	40	50	63	

Overall and installation dimensions



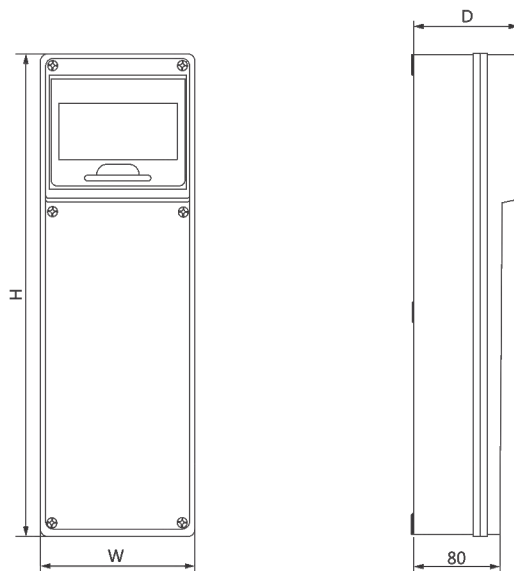
Socket Box



Specifications

Model	Dimensions(mm)		
	H	W	D
Socket Box II	440	135	95

Overall and installation dimensions



Waterproof Junction Box (IP65)



C

Specifications

Model	Dimensions(mm)		
	W	H	D
UA-0605	65	50	55
UA-0808	80	80	60
UA-1108	110	80	70
UA-1010	100	100	70
UA-1210	120	100	70
UA-1511	150	110	70
UA-1515	150	150	80
UA-1712	175	125	75
UA-1712-1	175	125	100
UA-2010	200	100	80
UA-1818	180	150	80
UA-2015	200	155	100
UA-2020	200	200	100
UA-2520	250	200	100
UA-3025	300	250	130
UA-3530	350	300	130
UA-4035	400	350	130

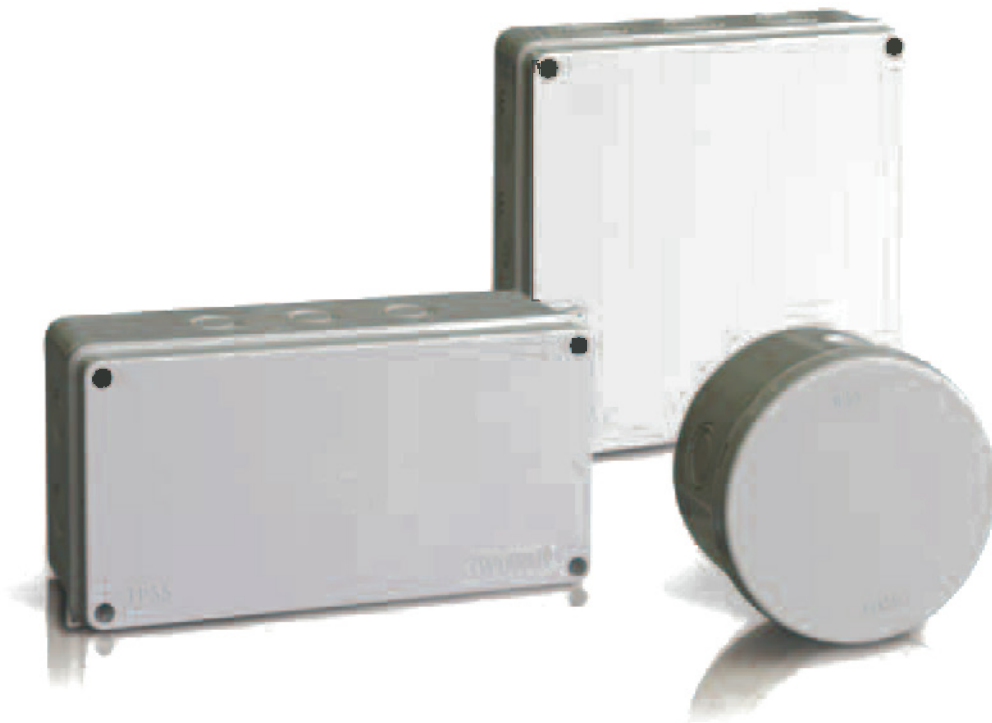
Junction Box(With Rubber Plug)-IP55



Specifications

Model	Dimension(mm)		
	W	H	D
UC-0503	50		30
UC-0505	50		50
UC-0805	80		50
UC-0808-05	80	80	50
	80	85	50
UC-1010	100	100	70
UC-1511	150	110	70
UC-1515	150	150	70
UC-2015	200	155	80
UC-2010	200	100	70
UC-2020	200	200	80
UC-2520	255	200	80
UC-3025	300	250	120
UC-4035	400	350	120

Junction Box (Without Rubber Plug)-IP55



Specifications

Model	Dimensions(mm)		
	W	H	D
UB-0805	80		50
UB-0808	85	85	50
UB-1010	100	100	70
UB-1511	150	110	70
UB-2010	200	100	70
UB-2010-1	200	100	110
UB-2015	200	155	80
UB-2020	200	200	80
UB-2520	255	200	80



WENZHOU UP
ELECTRICAL
www.upelectricals.com



RoHS ISO9001



UDB-K1 Series 1 Phase Switch Box

Application:

UDB-K1 series 1 phase switch box is mainly used in industry and mining enterprises to connect, break and protect electrical systems. The inside fuse can protect electrical systems from overload and short circuit.

Material

1. Steel sheet and copper fittings inside;
2. Paint finish: Both externally and internally;
3. Protected with epoxy polyester coating;
4. Textured finish RAL7032 or RAL7035.

Lifetime:

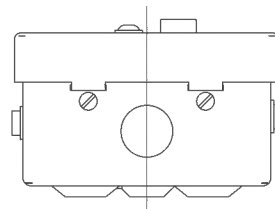
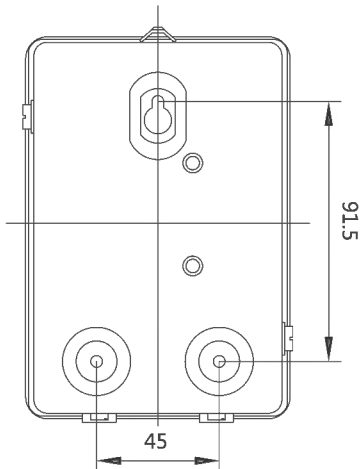
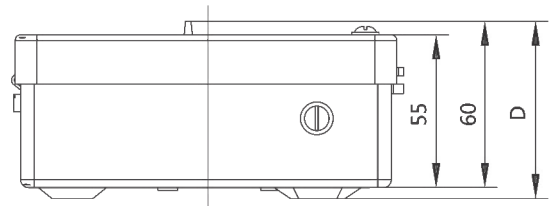
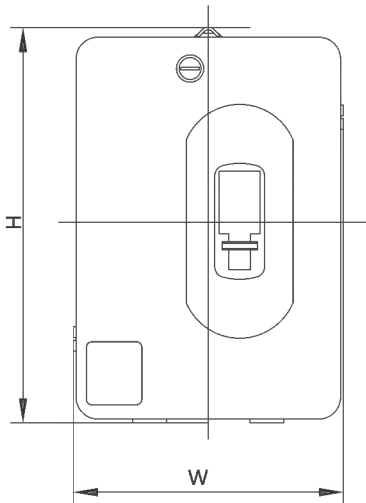
More than 20 years;
Our products are accord with IEC 60947-3 standard.

UDB-K1 Series 1 Phase Switch Box

Specifications

Model	Sheet thickness(mm)	Dimensions(mm)		
		W	H	D
UDB-K1	1.2	99	146	64

Overall and installation dimensions





WENZHOU UP
ELECTRICAL
www.upelectricals.com



RoHS ISO9001



UGS-M Series Gear Switch

Application:

UGS-M series gear switch is mainly applied to the distribution network of the industrial and mining enterprises as cable conductor, protect the circuit from overload and short circuit and connect and break power in the normal lock power condition .

Material

1. Steel sheet and copper fittings inside;
2. Paint finish: Both externally and internally;
3. Protected with epoxy polyester coating;
4. Textured finish RAL7032 or RAL7035.

Lifetime:

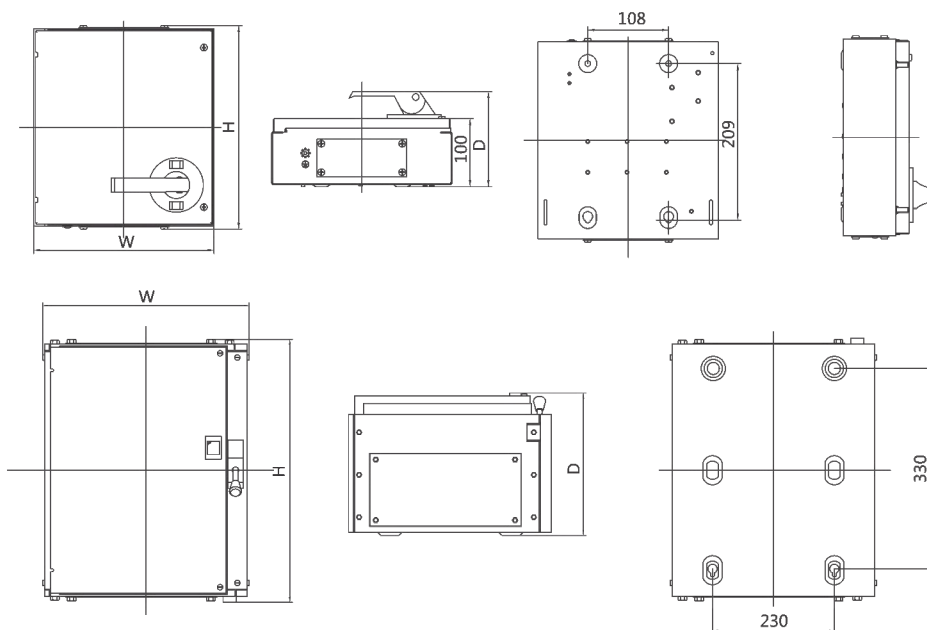
More than 20 years;
Our products are accord with IEC 60947-3 standard.

UGS-M Series Gear Switch (IP40)

Specifications

Switch-disconnector Model	Switch-disconnector -hrc fuse Model	Rated current	Utilization category at ue 415V to bsen60947-3		250V DC rating to bs5419	Poles	Hrc fuses fitted
			AC22A	AC32A			
-	SL15SC2F*	20A	20A	-	20A#	SPSN	20SA2
UGS-M15D2	SL15DC2F		20A	-	20A#	DP	20SA2
UGS-M15TN2	SL15TNC2F		20A	11A	-	TPN	20SA2
-	SL30SC2F*	32A	32A	-	32A	SPSN	32SB3
UGS-M30D2	SL30DC2F		32A	-	32A	DP	32SB3
UGS-M30TN2	SL30TNC2F		32A	22A	-	TPN	32SB3
-	SL60SC2F*	63A	63A	-	63A	SPSN	63SB4
UGS-M60D2	SL60DC2F		63A	-	63A	DP	63SB4
UGS-M60TN2	SL60TNC2F		63A	39A	-	TPN	63SB4
-	SL100SC2F*	100A	100A	-	100A	SPSN	100SD5+
UGS-M100D2	SL100DC2F		100A	-	100A	DP	100SD5+
UGS-M100TN2	SL100TNC2F		100A	52A	-	TPN	100SD5+
UGS-M200TN2	SL200TNC2F	200A	200A	52A	200A	TPN	200SD6+

Overall and installation dimensions





WENZHOU UP
ELECTRICAL
www.upelectricals.com



RoHS ISO9001



UCS-H Series Changeover Switch (New Type)

Application:

UCS-H series changeover switch(New Type) is with impressive features to make the enclosure a suitable addition to any high-tech equipment installation.

Material

1. Steel sheet and copper fittings inside;
2. Paint finish: Both externally and internally;
3. Protected with epoxy polyester coating;
4. Textured finish RAL7032 or RAL7035.

Lifetime:

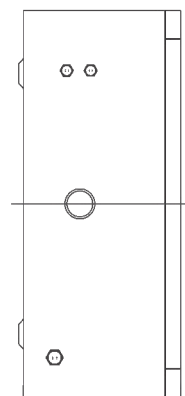
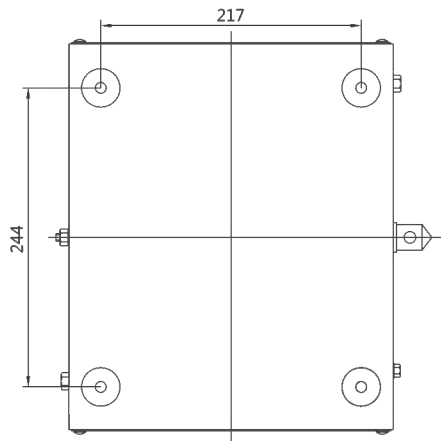
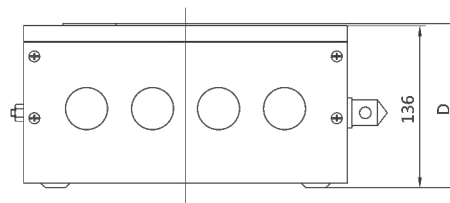
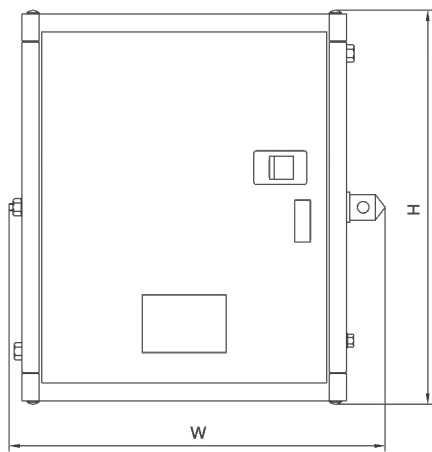
More than 20 years;
Our products are accord with IEC 60947-3 standard.

UCS-H Series Changeover Switch(New Type) IP40

Specifications

Model	Amps	Dimensions(mm)		
		W	H	D
UCS-H-32	32	221	235	110
UCS-H-63	63	308	327	138
UCS-H-100	100	327	440	144

Overall and installation dimensions





WENZHOU UP
ELECTRICAL
www.upelectricals.com



RoHS ISO9001



UCS-H Series Changeover Switch (Old Type)

Application:

UCS-H series changeover switch is mainly applied to industrial and mining enterprises to change over circuit and switch phases. When the switch is in operation, the door is locked and can not be opened until the power is cut off, then the door can be opened for check and repair.

Material

1. Steel sheet and copper fittings inside;
2. Paint finish: Both externally and internally;
3. Protected with epoxy polyester coating;
4. Textured finish RAL7032 or RAL7035.

Lifetime:

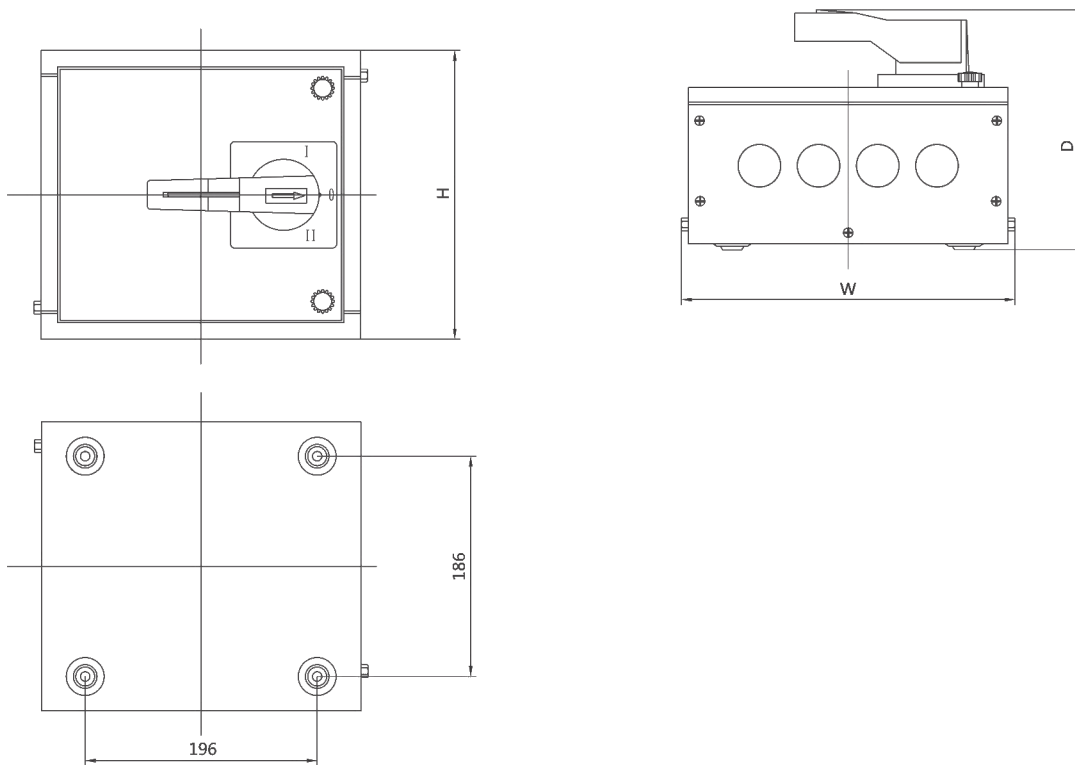
More than 20 years;
Our products are accord with IEC 60947-3 standard.

UCS-H Series Changeover Switch(Old Type) IP40

Specifications

Model	Amps	AL Wire(mm ²)	CU Wire(mm ²)
UCS-H-16	16	4	2.5
UCS-H-32	32	16	10
UCS-H-63	63	25	16
UCS-H-100	100	50	35
UCS-H-125	125	95	75
UCS-H-200	200	185	150

Overall and installation dimensions



D



WENZHOU UP
ELECTRICAL
www.upelectricals.com



RoHS ISO9001



UCS-E Series Changeover Switch

Application:

UCS-E series changeover switch is mainly applied to industrial and mining enterprises to change over circuit and switch phases. When the switch is in operation, the door is locked and can not be opened until the power is cut off, then the door can be opened for check and repair.

Material

1. Steel sheet and copper fittings inside;
2. Paint finish: Both externally and internally;
3. Protected with epoxy polyester coating;
4. Textured finish RAL7032 or RAL7035 .

Lifetime:

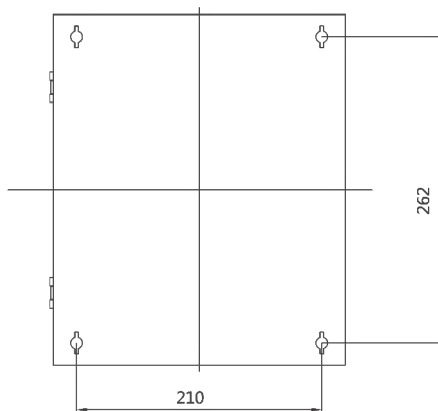
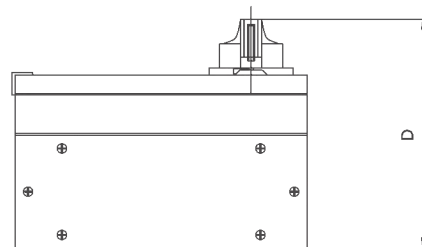
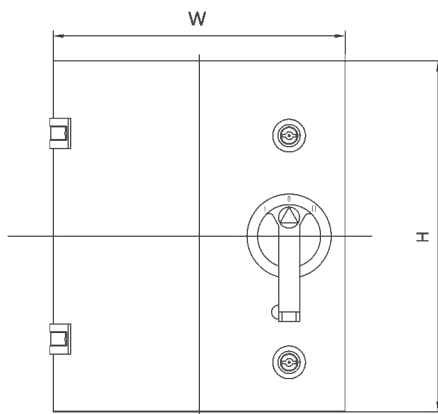
More than 20 years;
Our products are accord with IEC 60947-3 standard.

UCS-E Series Changeover Switch (IP65)

Specifications

Model	Amps	Dimensions(mm)		
		W	H	D
UCS-E-32	32	200	300	170
UCS-E-63	63	250	300	200
UCS-E-100	100	250 <td 300	200	
UCS-E-125	125	200	300	170
UCS-E-200	200	300	400	255

Overall and installation dimensions





WENZHOU UP
ELECTRICAL
www.upelectricals.com



RoHS ISO9001



UDB-JXF Series Waterproof Distribution Box

Product Description

Double door metal enclosure/double door electrical metal enclosure

Material

1. Steel sheet
2. Enclosure: 1.2mm-1.5mm
3. Door: 1.2mm-1.5mm
4. Mounting plate: 2.0mm

Surface finish:

1. Enclosure and door: Dipcoat-primed, powder-coated in textured Ral7032 or Ral7035 outside
2. Mounting plate: RAL2000 or galvanized

Our Advantages

1. 20 year's OEM & ODM experience
2. Spain Design
3. the color can remain for over 5 years
4. professional team

Supply includes:

Enclosure, door gland plate with sealing gasket, door with lock.

Protection:

Protection degree: IP65 Impact resistance: IK10

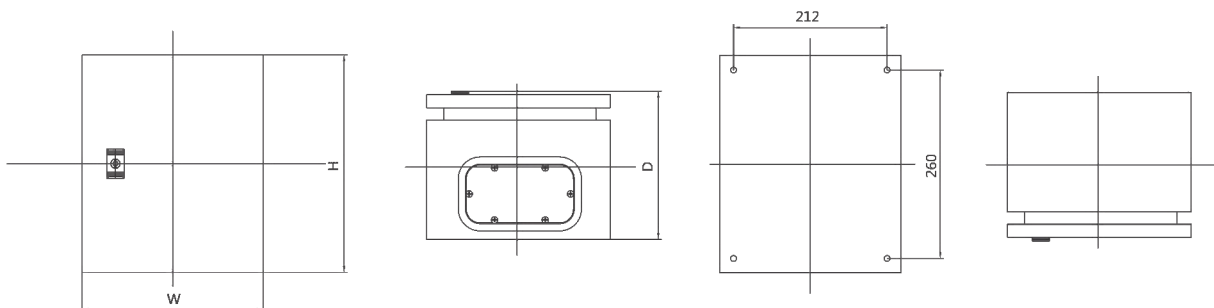
UDB-JXF Series Waterproof Distribution Box (IP65)

Specifications

Model	Height(mm)	Width(mm)	Depth(mm)
UDB-JXF-2020/15	200	200	150
UDB-JXF-3025/15	300	250	150
UDB-JXF-3025/20	300	250	200
UDB-JXF-3030/15	300	300	150
UDB-JXF-3030/20	300	300	200
UDB-JXF-3040/20	300	400	200
UDB-JXF-4030/15	400	300	150
UDB-JXF-4030/20	400	300	200
UDB-JXF-4040/20	400	400	200
UDB-JXF-4060/25	400	600	250
UDB-JXF-4060/30	400	600	300
UDB-JXF-5040/15	500	400	150
UDB-JXF-5040/20	500	400	200
UDB-JXF-5040/25	500	400	250
UDB-JXF-5050/25	500	500	250
UDB-JXF-6040/15	600	400	150
UDB-JXF-6040/20	600	400	200
UDB-JXF-6040/25	600	400	250
UDB-JXF-6050/15	600	500	150
UDB-JXF-6050/20	600	500	200
UDB-JXF-6050/25	600	500	250

Model	Height(mm)	Width(mm)	Depth(mm)
UDB-JXF-6060/25	600	600	250
UDB-JXF-6060/30	600	600	300
UDB-JXF-6080/30	600	800	300
UDB-JXF-7050/20	700	500	200
UDB-JXF-7050/25	700	500	250
UDB-JXF-8060/20	800	600	200
UDB-JXF-8060/25	800	600	250
UDB-JXF-8060/30	800	600	300
UDB-JXF-8060/40	800	600	400
UDB-JXF-8080/20	800	800	200
UDB-JXF-8080/30	800	800	300
UDB-JXF-80100/30	800	1000	300
UDB-JXF-10060/25	1000	600	250
UDB-JXF-10060/30	1000	600	300
UDB-JXF-10080/25	1000	800	250
UDB-JXF-10080/30	1000	800	300
UDB-JXF-10080/40	1000	800	400
UDB-JXF-100100/30	1000	1000	300
UDB-JXF-100120/30	1000	1200	300
UDB-JXF-12080/30	1200	800	300
UDB-JXF-12080/40	1200	800	400
UDB-JXF-120100/30	1200	1000	300

Overall and installation dimensions





WENZHOU UP
ELECTRICAL
www.upelectricals.com



RoHS ISO9001



WALL MOUNTING Series Distribution Box

Product Description

Double door metal enclosure/double door electrical metal enclosure

Material

1. Steel sheet
2. Enclosure: 1.2mm-1.5mm
3. Door: 1.2mm-1.5mm
4. Mounting plate: 2.0mm

Surface finish:

1. Enclosure and door: Dipcoat-primed, powder-coated in textured Ral7032 or Ral7035 outside
2. Mounting plate: RAL2000 or galvanized

Our Advantages

1. 20 year's OEM & ODM experience
2. Spain Design
3. the color can remain for over 5 years
4. professional team

Supply includes:

Enclosure ,Door & inner door gland plate with sealing gasket, lock.

Protection:

Protection degree: IP65 Impact resistance: IK10

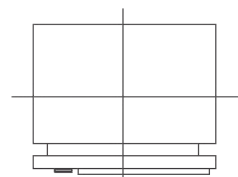
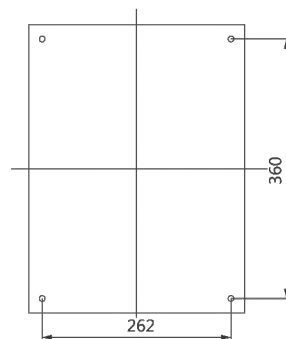
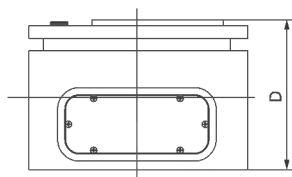
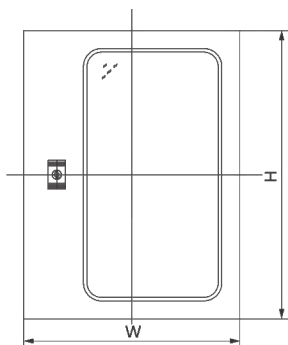
Wall Mounting Series Distribution Box (IP65)

Specifications

Model	Height(mm)	Width(mm)	Depth(mm)
UWM-2020/15	200	200	150
UWM-3025/15	300	250	150
UWM-3025/20	300	250	200
UWM-3030/15	300	300	150
UWM-3030/20	300	300	200
UWM-3040/20	300	400	200
UWM-4030/15	400	300	150
UWM-4030/20	400	300	200
UWM-4040/20	400	400	200
UWM-4060/25	400	600	250
UWM-4060/30	400	600	300
UWM-5040/15	500	400	150
UWM-5040/20	500	400	200
UWM-5040/25	500	400	250
UWM-5050/25	500	500	250
UWM-6040/15	600	400	150
UWM-6040/20	600	400	200
UWM-6040/25	600	400	250
UWM-6050/15	600	500	150
UWM-6050/20	600	500	200
UWM-6050/25	600	500	250

Model	Height(mm)	Width(mm)	Depth(mm)
UWM-6060/25	600	600	250
UWM-6060/30	600	600	300
UWM-6080/30	600	800	300
UWM-7050/20	700	500	200
UWM-7050/25	700	500	250
UWM-8060/20	800	600	200
UWM-8060/25	800	600	250
UWM-8060/30	800	600	300
UWM-8060/40	800	600	400
UWM-8080/20	800	800	200
UWM-8080/30	800	800	300
UWM-80100/30	800	1000	300
UWM-10060/25	1000	600	250
UWM-10060/30	1000	600	300
UWM-10080/25	1000	800	250
UWM-10080/30	1000	800	300
UWM-10080/40	1000	800	400
UWM-100100/30	1000	1000	300
UWM-100120/30	1000	1200	300
UWM-12080/30	1200	800	300
UWM-12080/40	1200	800	400
UWM-120100/30	1200	1000	300

Overall and installation dimensions





WENZHOU UP
ELECTRICAL
www.upelectricals.com



RoHS ISO9001



UDB-DN / DW / DL Series Power Distribution Box

Product Description

Double door metal enclosure/double door electrical metal enclosure

Material

1. Steel sheet
2. Enclosure: 1.2mm-1.5mm
3. Door: 1.2mm-1.5mm
4. Mounting plate: 2.0mm

Surface finish:

1. Enclosure and door: Dipcoat-primed, powder-coated in textured Ral7032 or Ral7035 outside
2. Mounting plate: RAL2000 or galvanized

Our Advantages

1. 20 year's OEM & ODM experience
2. Spain Design
3. the color can remain for over 5 years
4. professional team

Supply includes:

Enclosure ,Door & inner door gland plate with sealing gasket, lock.

Protection:

Protection degree: IP40~IP65 Impact resistance: IK10

UDB-DN / DW / DL Series Power Distribution Box(IP40-IP65)

Specifications

Model	Height(mm)	Width(mm)	Depth(mm)
UDB-NWL-2020/15	200	200	150
UDB-NWL-3025/15	300	250	150
UDB-NWL-3025/20	300	250	200
UDB-NWL-3030/15	300	300	150
UDB-NWL-3030/20	300	300	200
UDB-NWL-3040/20	300	400	200
UDB-NWL-4030/15	400	300	150
UDB-NWL-4030/20	400	300	200
UDB-NWL-4040/20	400	400	200
UDB-NWL-4060/25	400	600	250
UDB-NWL-4060/30	400	600	300
UDB-NWL-5040/15	500	400	150
UDB-NWL-5040/20	500	400	200
UDB-NWL-5040/25	500	400	250
UDB-NWL-5050/25	500	500	250
UDB-NWL-6040/15	600	400	150
UDB-NWL-6040/20	600	400	200
UDB-NWL-6040/25	600	400	250
UDB-NWL-6050/15	600	500	150
UDB-NWL-6050/20	600	500	200
UDB-NWL-6050/25	600	500	250

Model	Height(mm)	Width(mm)	Depth(mm)
UDB-NWL-6060/25	600	600	250
UDB-NWL-6060/30	600	600	300
UDB-NWL-6080/30	600	800	300
UDB-NWL-7050/20	700	500	200
UDB-NWL-7050/25	700	500	250
UDB-NWL-8060/20	800	600	200
UDB-NWL-8060/25	800	600	250
UDB-NWL-8060/30	800	600	300
UDB-NWL-8060/40	800	600	400
UDB-NWL-8080/20	800	800	200
UDB-NWL-8080/30	800	800	300
UDB-NWL-80100/30	800	1000	300
UDB-NWL-10060/25	1000	600	250
UDB-NWL-10060/30	1000	600	300
UDB-NWL-10080/25	1000	800	250
UDB-NWL-10080/30	1000	800	300
UDB-NWL-10080/40	1000	800	400
UDB-NWL-100100/30	1000	1000	300
UDB-NWL-100120/30	1000	1200	300
UDB-NWL-12080/30	1200	800	300
UDB-NWL-12080/40	1200	800	400
UDB-NWL-120100/30	1200	1000	300



WENZHOU UP
ELECTRICAL
www.upelectricals.com



RoHS ISO9001



FLOOR STANDING CABINET Series (Chassis Enclosure Type)

Product Description

1. Material: Steel sheet
2. Frame structure: 9-fold profiled
3. Door: 2.0mm
4. Rear panel: 1.5mm
5. Mounting plate: 2.0mm
6. Protection category: Corresponds to IP55 to EN60529/10.91, complies

Surface finish:

1. Enclosure and door: Dipcoat-primed, powder-coated in textured Ral7032 or Ral7035 outside
2. Mounting plate: RAL2000 or galvanized

Our Advantages

1. 20 year's OEM & ODM experience
2. Spain Design
3. the color can remain for over 5 years
4. professional team

Floor Standing Cabinet Series (Chassis Enclosure Type)

Specifications

Model	Height(mm)	Width(mm)	Depth(mm)	Model	Height(mm)	Width(mm)	Depth(mm)
UFSC-CE 1010/30	1000	1000	300	UFSC-CE 188/50	1800	800	500
UFSC-CE 128/30	1200	800	300	UFSC-CE 188/60	1800	800	600
UFSC-CE 1210/30	1200	1000	300	UFSC-CE 1810/40	1800	1000	400
UFSC-CE 1212/40	1200	1200	400	UFSC-CE 1810/50	1800	1000	500
UFSC-CE 146/30	1400	600	300	UFSC-CE 1812/40	1800	1200	400
UFSC-CE 146/40	1400	600	400	UFSC-CE 1812/50	1800	1200	500
UFSC-CE 148/30	1400	800	300	UFSC-CE 1816/40	1800	1600	400
UFSC-CE 148/40	1400	800	400	UFSC-CE 1816/50	1800	1600	500
UFSC-CE 1410/40	1400	1000	400	UFSC-CE 206/30	2000	600	300
UFSC-CE 1412/40	1400	1200	400	UFSC-CE 206/40	2000	600	400
UFSC-CE 166/30	1600	600	300	UFSC-CE 208/30	2000	800	300
UFSC-CE 166/40	1600	600	400	UFSC-CE 208/40	2000	800	400
UFSC-CE 168/30	1600	800	300	UFSC-CE 208/50	2000	800	500
UFSC-CE 168/40	1600	800	400	UFSC-CE 208/60	2000	800	600
UFSC-CE 1610/30	1600	1000	300	UFSC-CE 2010/40	2000	1000	400
UFSC-CE 1610/40	1600	1000	400	UFSC-CE 2010/50	2000	1000	500
UFSC-CE 1612/30	1600	1200	300	UFSC-CE 2012/40	2000	1200	400
UFSC-CE 1612/40	1600	1200	400	UFSC-CE 2012/50	2000	1200	500
UFSC-CE 186/30	1800	600	300	UFSC-CE 2012/60	2000	1200	600
UFSC-CE 186/40	1800	600	400	UFSC-CE 2016/40	2000	1600	400
UFSC-CE 188/30	1800	800	300	UFSC-CE 2016/50	2000	1600	500
UFSC-CE 188/40	1800	800	400	UFSC-CE 2016/60	2000	1600	600

Overall and installation dimensions

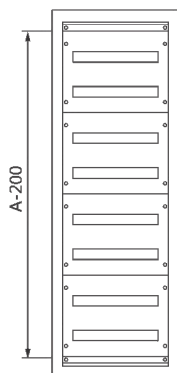


Fig.1

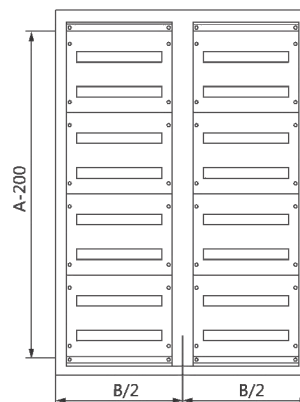
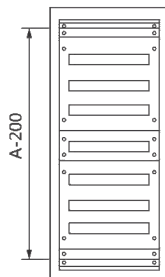


Fig.2

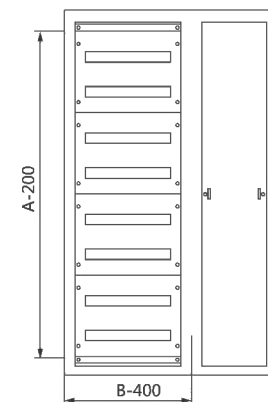


Fig.3

UDB-PZ30 Series Stainless Steel Distribution Box



Specifications

Model	Dimensions(mm)		
	W	H	D
PZ30- 2 ways	110	155	90
PZ30- 4 ways	170	155	90
PZ30- 6 ways	210	200	90
PZ30- 8 ways	240	230	90
PZ30- 10 ways	280	280	90
PZ30- 12 ways	320	280	90
PZ30- 15 ways	370	280	90
PZ30- 18 ways	420	280	90
PZ30- 20 ways	460	280	90
PZ30- 24 ways	320	460	90
PZ30- 30 ways	370	460	90
PZ30- 36 ways	420	460	90

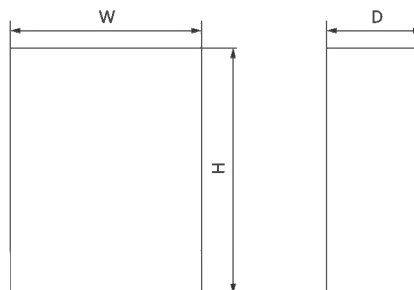
Stainless Steel Control Box



Specifications

SPEC.	Dimensions(mm)		
	W	H	D
3025/16	250	300	160
4030/16	300	400	160
5040/18	400	500	180
6050/18	500	600	180
8060/20	600	800	200
8060/25	600	800	250
10080/20	800	1000	200
10080/25	800	1000	250

Overall and installation dimensions



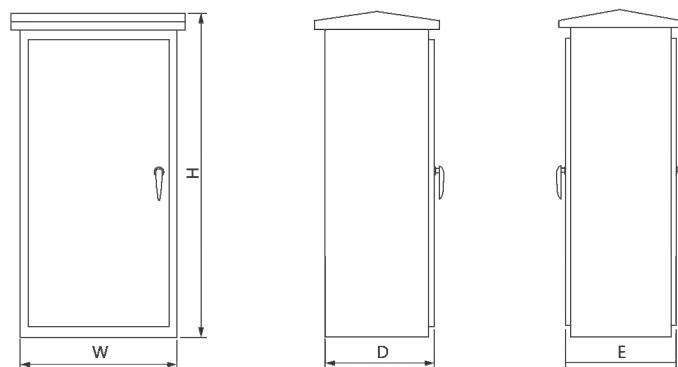
Stainless Steel Outdoor Power Box



Specifications

Product name	Dimensions(mm)			Size Of Door(mm)
	W	H	D	
Floor-type outdoor power cabinet	500	700	200	-
	600	500	250	-
	600	1000	350	400
	600	1200	350	400
	700	1500	350	450
	700	1700	370	450
	800	2000	450	550

Overall and installation dimensions



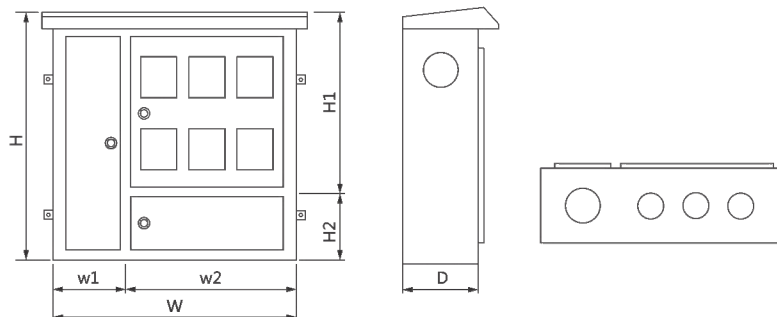
Stainless Steel Single Phase Electric Meter Box



Specifications

SPEC.	W(mm)			H(mm)			D(mm)	
	W	W1	W2	H	H1	H2	Mechanical meter	Electronic meter
4 Houses	550	200	350	700	500	200	150	130
6 Houses	700	220	480	700	500	200	150	130
8 Houses	850	250	600	750	500	250	150	130
10 Houses	1000	250	750	750	500	250	150	130
12 Houses	850	250	600	1000	750	250	150	130
15 Houses	1000	250	750	1000	750	250	150	130
18 Houses	1150	250	900	1000	750	250	150	130

Overall and installation dimensions



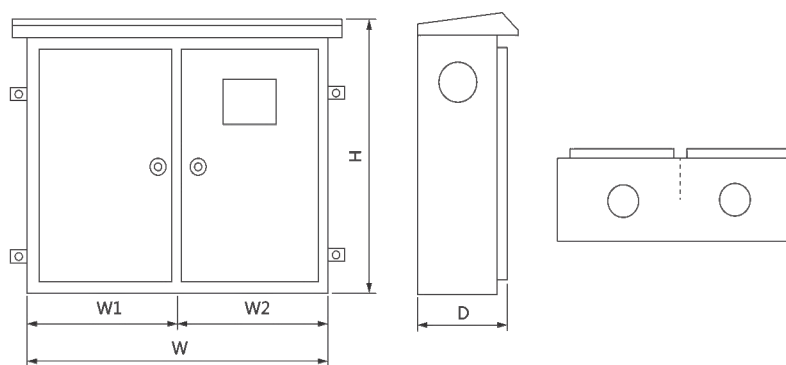
Stainless Steel Three-phase Electric Meter Box(with switch)



Specifications

Product name	W(mm)			H(mm)	D(mm)
	W	W1	W2		
Three-phase Electric Meter Box (with switch)	550	275	275	400	170

Overall and installation dimensions



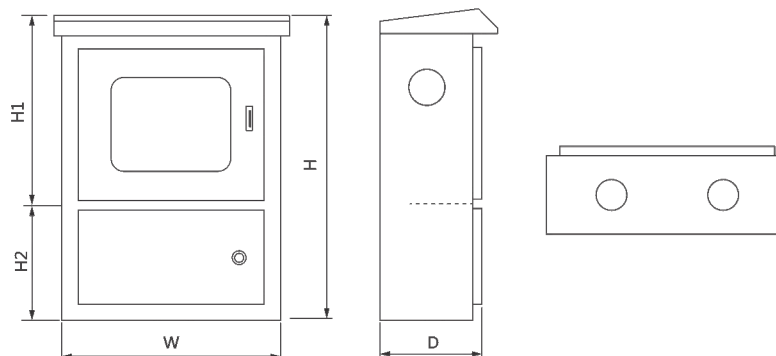
Stainless Steel Three-phase Electric Meter Box(Outdoor)



Specifications

Product name	W(mm)	H(mm)			D(mm)
		H	H1	H2	
Three-phase Electric Meter Box(Outdoor)	500	750	420	330	180
	600	900	500	400	180
	700	1000	550	450	180

Overall and installation dimensions



Stainless Steel Outdoor Integrated Distribution Box



Specifications

Transformer capacity	W(mm)	H(mm)			D(mm)	Installation dimension	
		H	H1	H2		E	F
50KVA Below	700	1000	530	470	400	300	660
80-125KVA	700	1250	780	470	450	350	660
160-200KVA	800	1400	930	470	500	400	760
250-315KVA	800	1550	1080	470	550	450	760

Overall and installation dimensions

